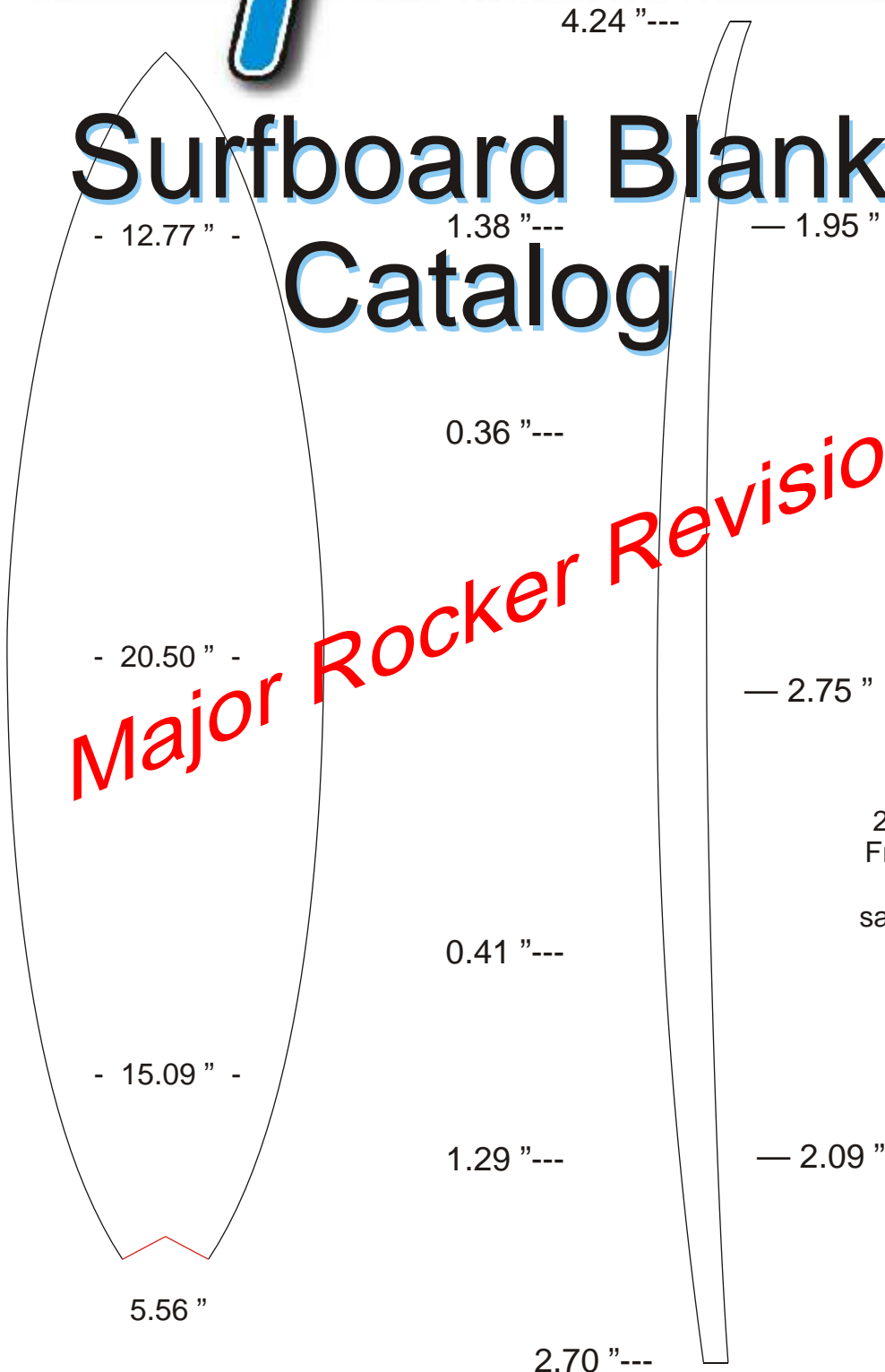




Surfboard Blank Catalog



Major Rocker Revisions!

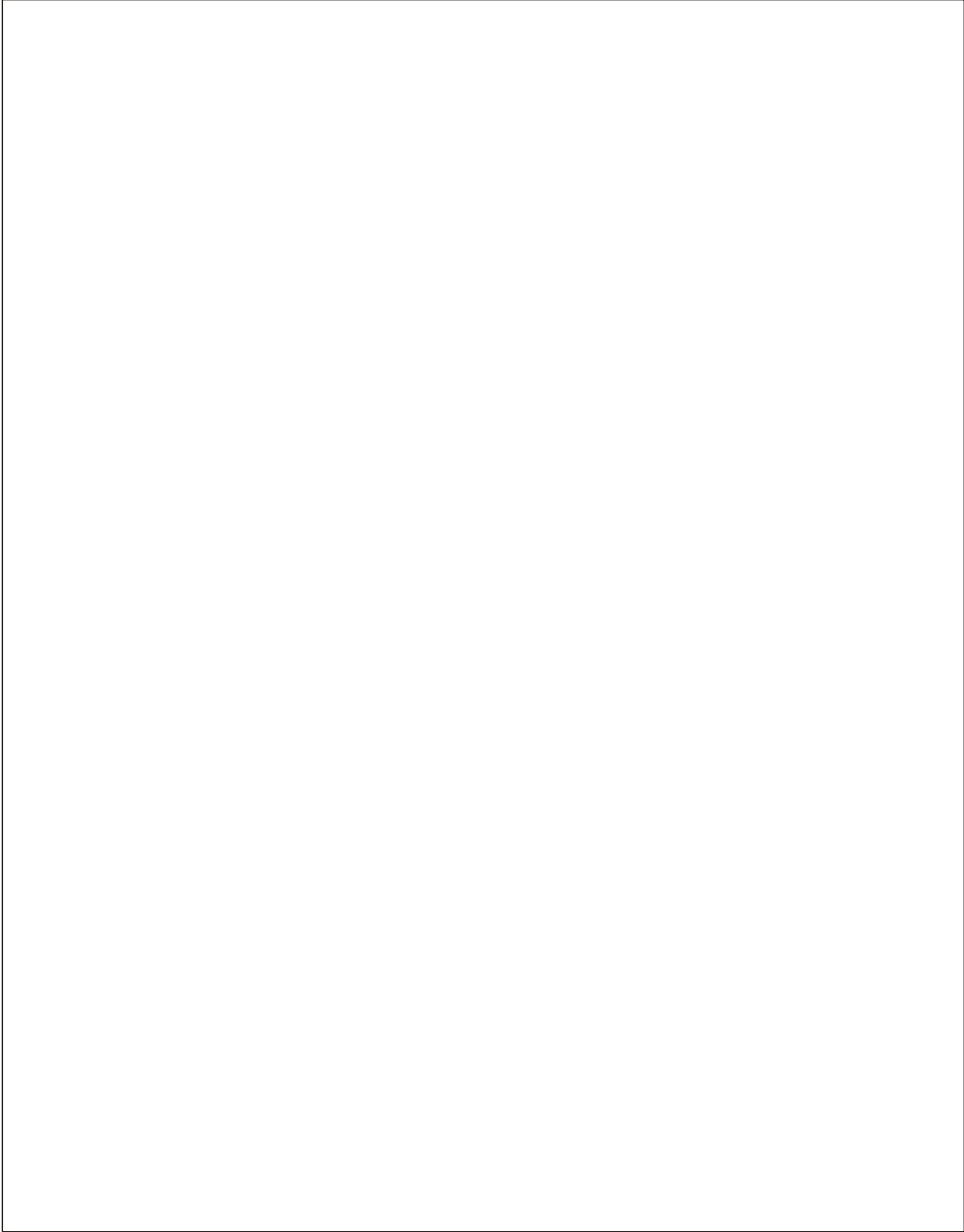
sFoam
222 West Broad St
Freeport, TX 77541

sales 979-633-4324

March 13, 2009



www.sfoam.com



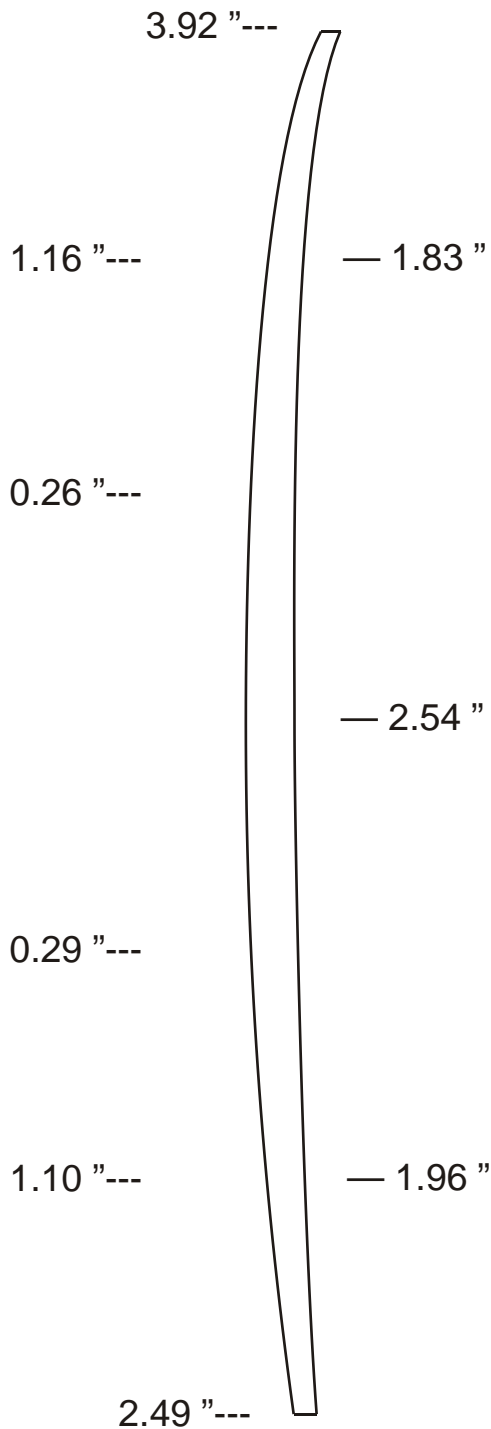
In Stock

Rockers



www.sfoam.com

6' 0" F



Tip-to-Tip Length : 6 ' 0 "

Maximum Thickness: 2.54 "

Comments:

Modern Fish Series

Nose rocker measured at tip.

Tail rocker measured at tip.

Bottom measured at 12 " from nose, 24 " from nose and so on; also, 12 " from tail, 24 " from tail and so on.

Deck thickness measured at 12 " from nose, 12 " from tail and at midpoint.

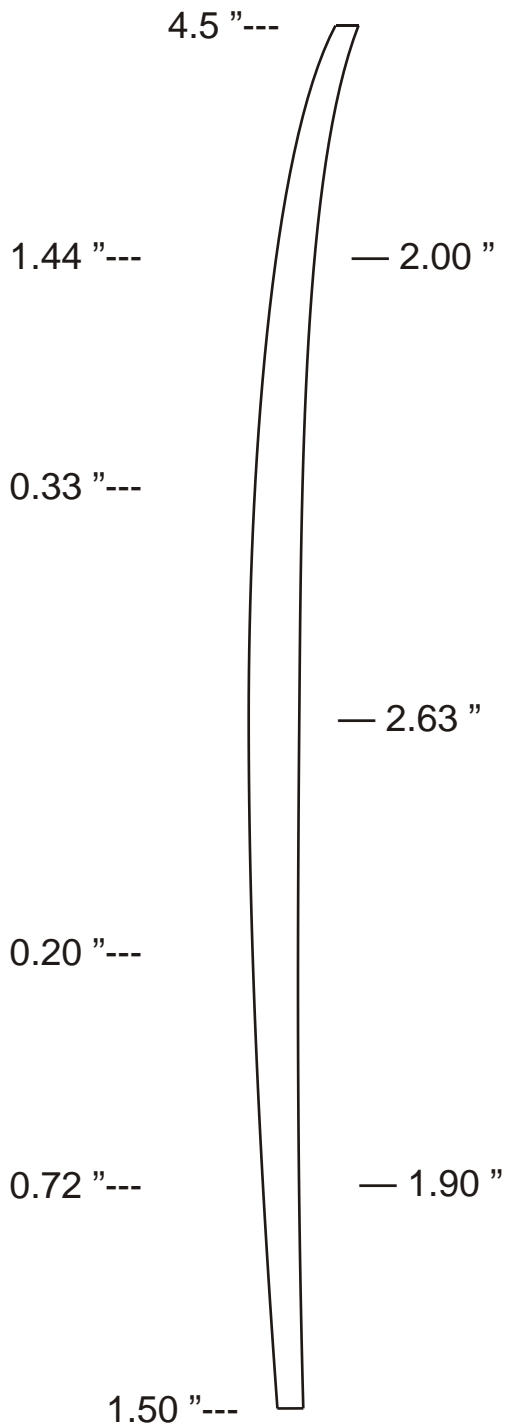
Please note:

All dimensions can be changed for a customized purpose-built blank!



www.sfoam.com

6' 0" TF



Tip-to-Tip Length : 6 ' 0 "

Maximum Thickness: 2.63 "

Comments:

Modern Twin Fin

Lowered tail rocker, extra tail and nose thickness.

Nose rocker measured at tip.

Tail rocker measured at tip.

Bottom measured at 12 " from nose, 24 " from nose and so on; also, 12 " from tail, 24 " from tail and so on.

Deck thickness measured at 12 " from nose, 12 " from tail and at midpoint.

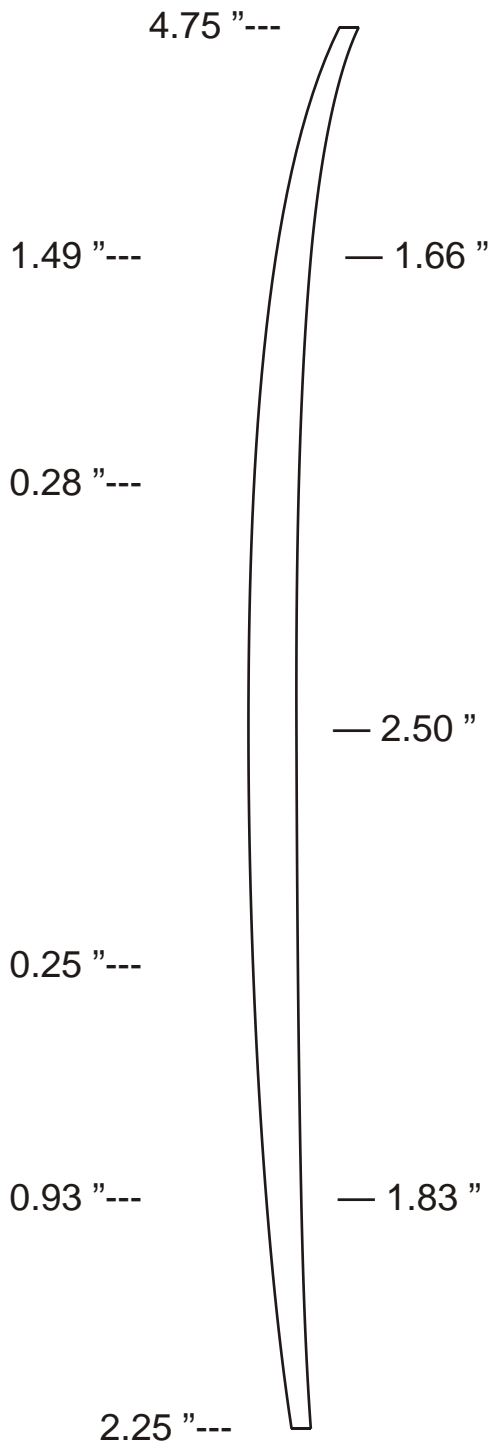
Please note:

All dimensions can be changed for a customized purpose-built blank!



www.sfoam.com

6' 1" XP



Tip-to-Tip Length : 6 ' 1 "

Maximum Thickness: 2.50 "

Comments:

"XtraPerformance"

Close tolerance, Competition -
Style blanks.

Short board series 5 ' 9 "
through 6 ' 9 " .

Nose rocker measured at tip.

Tail rocker measured at tip.

Bottom measured at 12 " from nose, 24 " from nose and so on; also, 12 " from tail, 24 " from tail and so on.

Deck thickness measured at 12 " from nose, 12 " from tail and at midpoint.

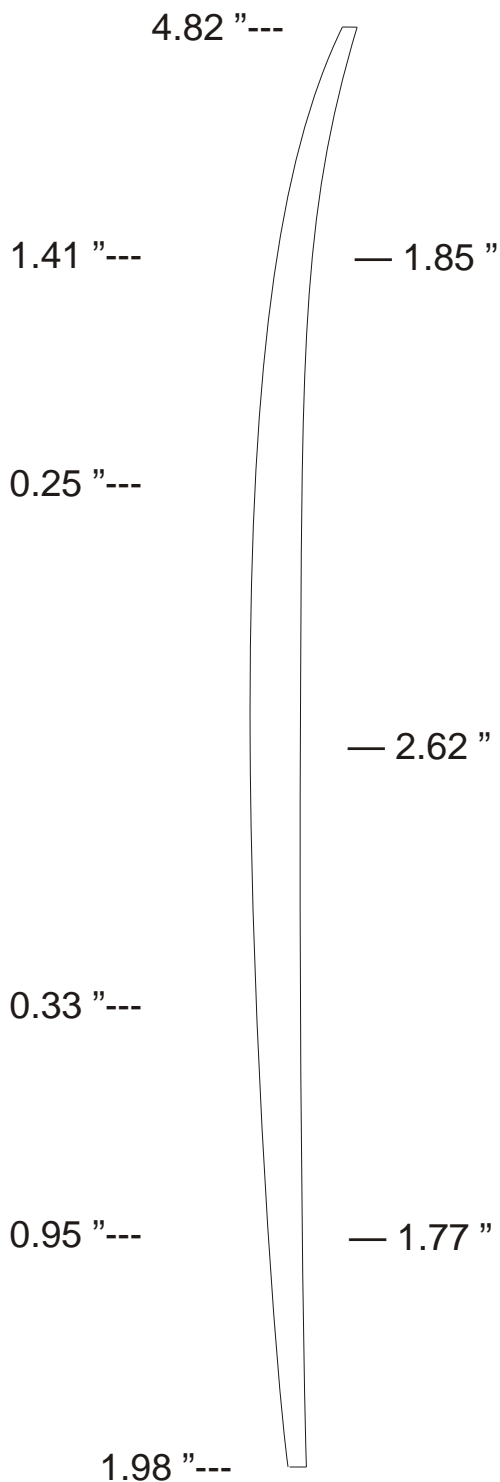
Please note:

All dimensions can be changed for a customized purpose-built blank!



www.sfoam.com

6' 3" RP



Tip-to-Tip Length : 6 ' 3 "

Maximum Thickness: 2.62 "

Comments:
Rounded Point / Micro Gun
Series

Nose rocker measured at tip.

Tail rocker measured at tip.

Bottom measured at 12 " from nose, 24 " from nose and so on; also, 12 " from tail, 24 " from tail and so on.

Deck thickness measured at 12 " from nose, 12 " from tail and at midpoint.

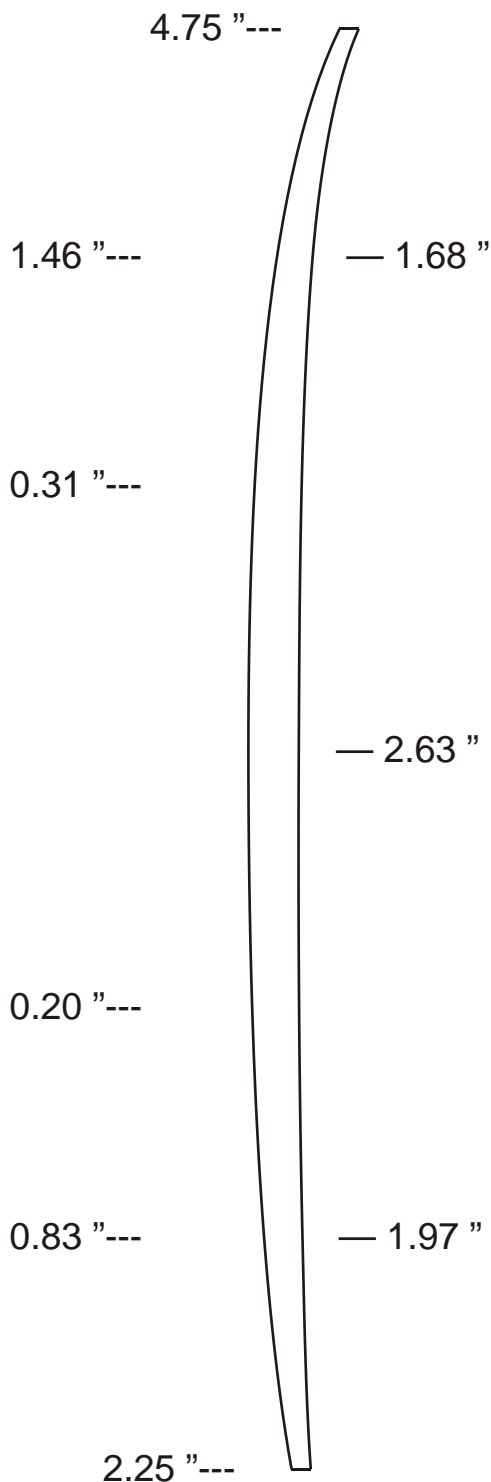
Please note:

All dimensions can be changed for a customized purpose-built blank!



www.sfoam.com

6' 3" XP



Tip-to-Tip Length : 6 ' 3 "

Maximum Thickness: 2.63 "

Comments:

"XtraPerformance"

Close tolerance, Competition -
Style blanks.

Short board series 5 ' 9 "
through 6 ' 9 " .

Nose rocker measured at tip.

Tail rocker measured at tip.

Bottom measured at 12 " from nose, 24 " from nose and so on; also, 12 " from tail, 24 " from tail and so on.

Deck thickness measured at 12 " from nose, 12 " from tail and at midpoint.

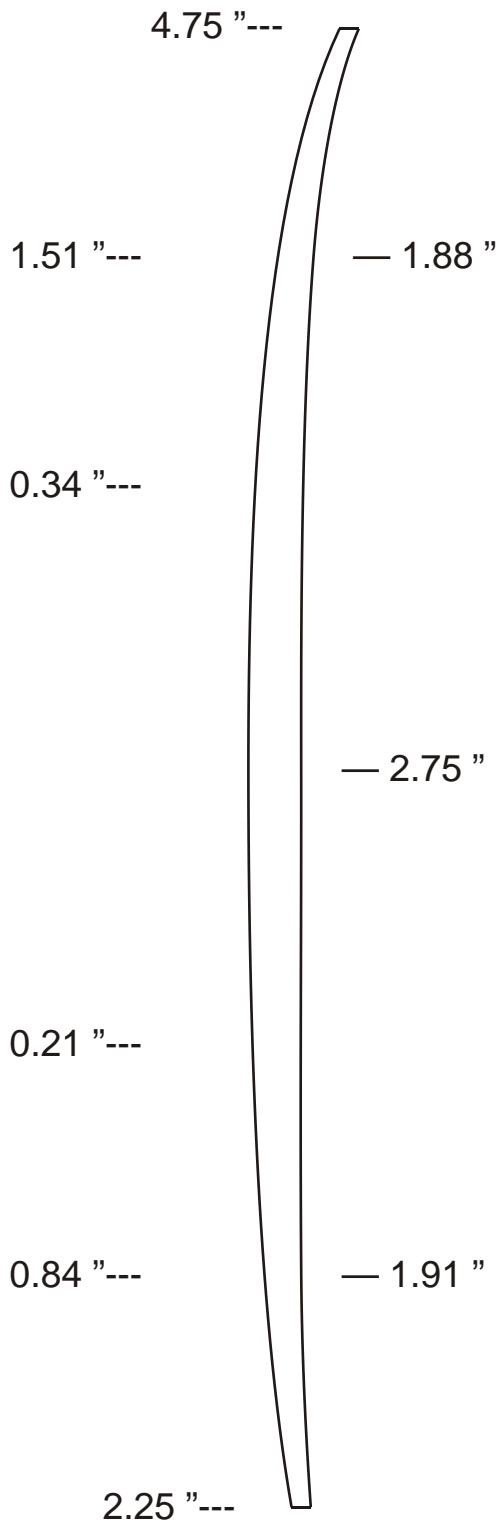
Please note:

All dimensions can be changed for a customized purpose-built blank!



www.sfoam.com

6' 5" XP



Tip-to-Tip Length : 6 ' 5 "

Maximum Thickness: 2.75 "

Comments:

"XtraPerformance"

Close tolerance, Competition -
Style blanks.

Short board series 5 ' 9 "
through 6 ' 9 ".

Nose rocker measured at tip.

Tail rocker measured at tip.

Bottom measured at 12 "
from nose, 24 " from nose
and so on; also, 12 " from
tail, 24 " from tail and so on.

Deck thickness measured at
12 " from nose, 12 " from tail
and at midpoint.

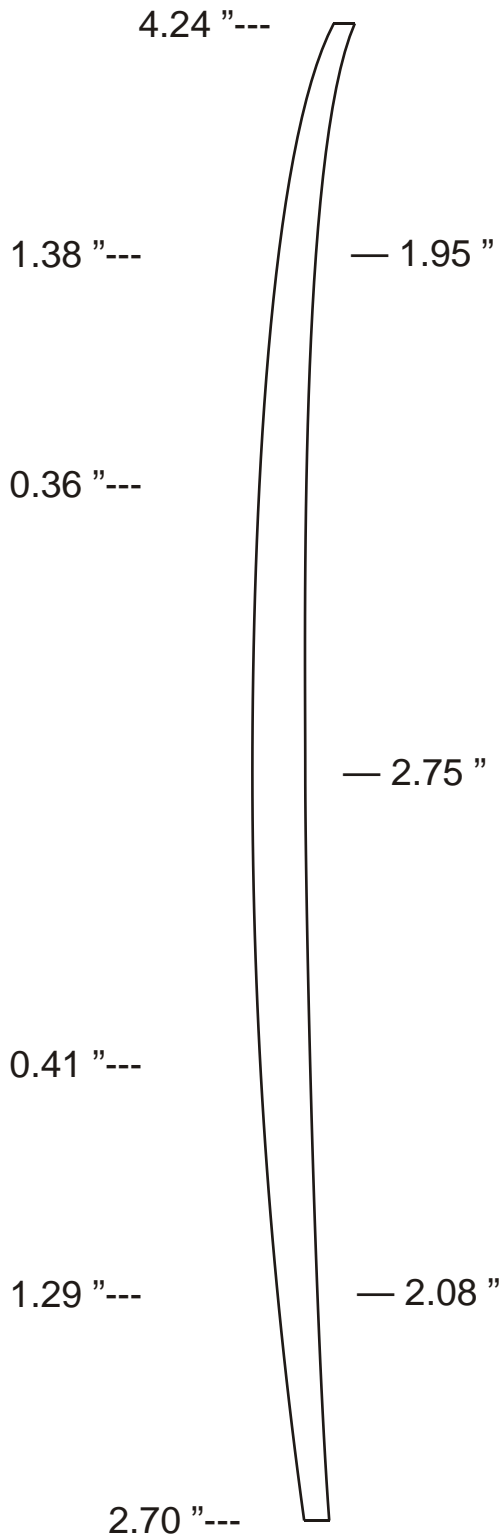
Please note:

All dimensions can be
changed for a customized
purpose-built blank!



www.sfoam.com

6' 6" F



Tip-to-Tip Length : 6 ' 6 "

Maximum Thickness: 2.75 "

Comments:
Modern Fish Series

Nose rocker measured at tip.

Tail rocker measured at tip.

Bottom measured at 12 " from nose, 24 " from nose and so on; also, 12 " from tail, 24 " from tail and so on.

Deck thickness measured at 12 " from nose, 12 " from tail and at midpoint.

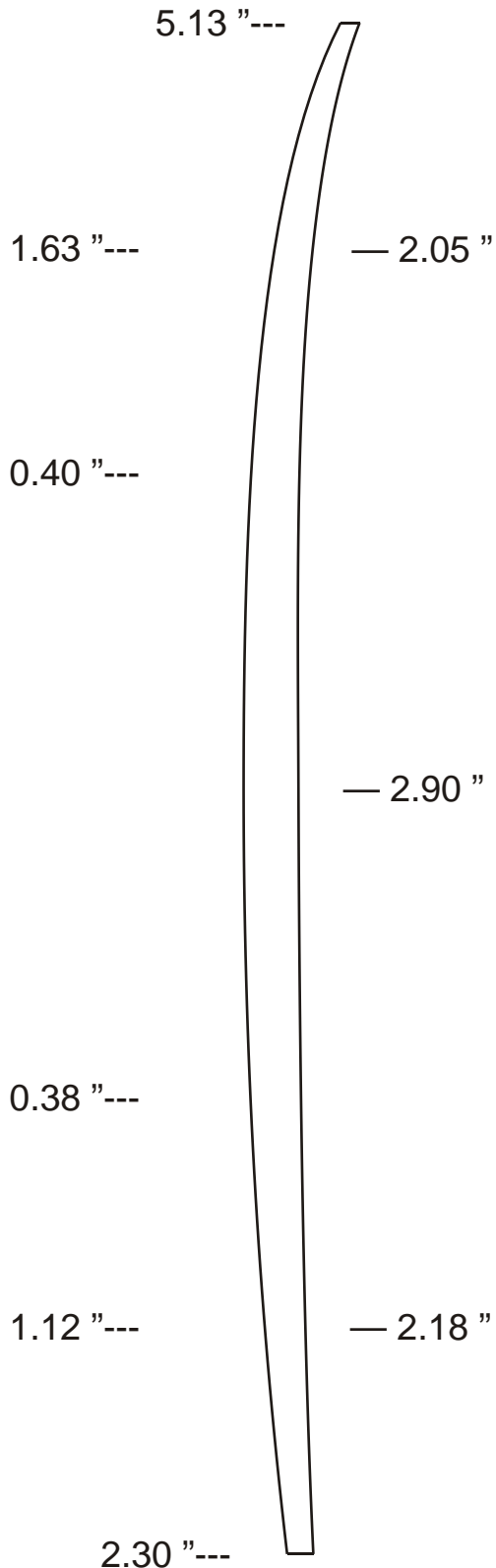
Please note:

All dimensions can be changed for a customized purpose-built blank!



www.sfoam.com

6' 9" S



Tip-to-Tip Length : 6 ' 9 "

Maximum Thickness: 2.90 "

Comments:
Squash Tail Series

Nose rocker measured at tip.

Tail rocker measured at tip.

Bottom measured at 12 " from nose, 24 " from nose and so on; also, 12 " from tail, 24 " from tail and so on.

Deck thickness measured at 12 " from nose, 12 " from tail and at midpoint.

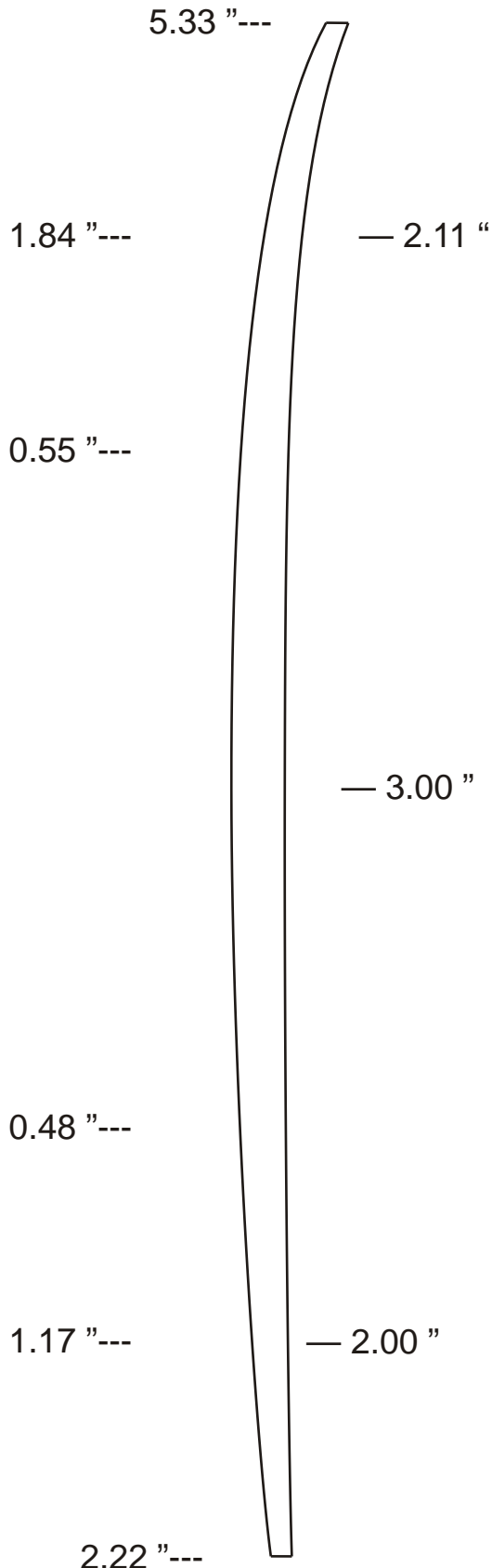
Please note:

All dimensions can be changed for a customized purpose-built blank!



www.sfoam.com

7' 2" FN



Tip-to-Tip Length : 7 ' 2 "

Maximum Thickness: 3.00 "

Comments:

Fun Shape / Egg Series

Nose rocker measured at tip.

Tail rocker measured at tip.

Bottom measured at 12 " from nose, 24 " from nose and so on; also, 12 " from tail, 24 " from tail and so on.

Deck thickness measured at 12 " from nose, 12 " from tail and at midpoint.

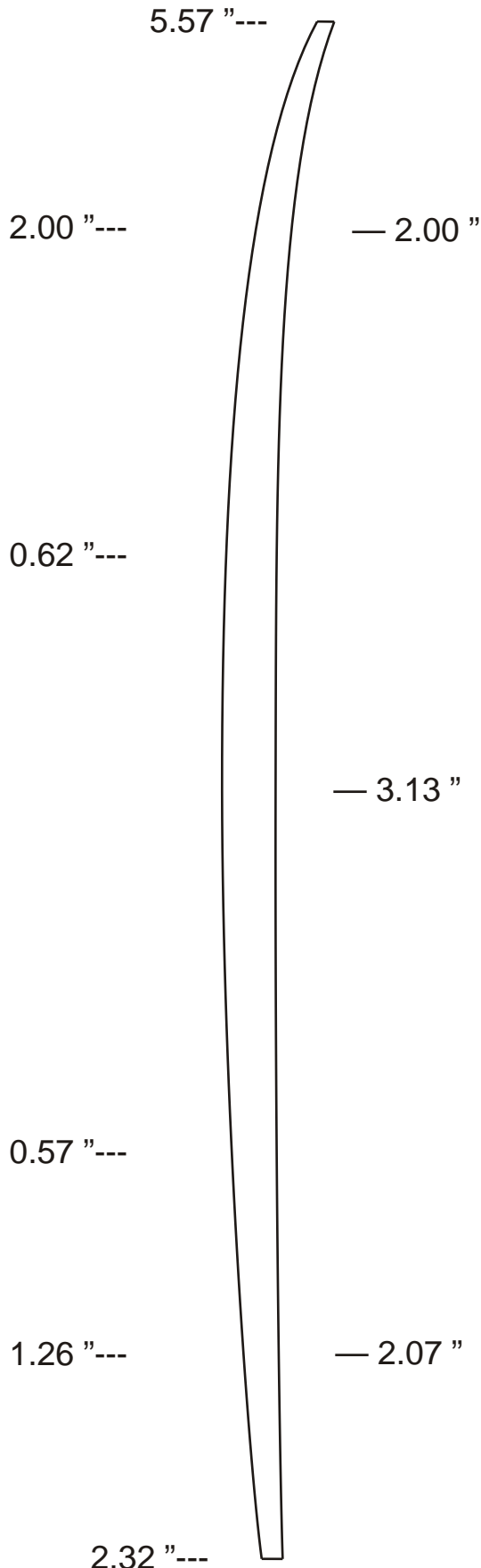
Please note:

All dimensions can be changed for a customized purpose-built blank!



www.sfoam.com

7' 6" FN



Tip-to-Tip Length : 7 ' 6 "

Maximum Thickness: 3.13 "

Comments:

Fun Shape / Egg Series

Nose rocker measured at tip.

Tail rocker measured at tip.

Bottom measured at 12 " from nose, 24 " from nose and so on; also, 12 " from tail, 24 " from tail and so on.

Deck thickness measured at 12 " from nose, 12 " from tail and at midpoint.

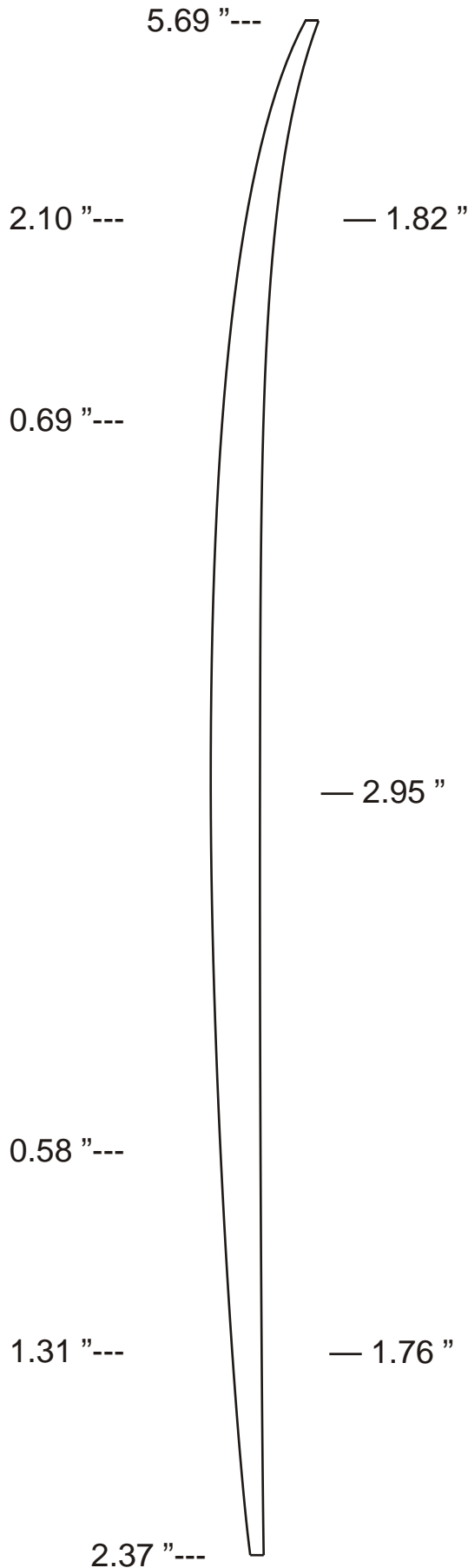
Please note:

All dimensions can be changed for a customized purpose-built blank!



www.sfoam.com

7' 8" FN



Tip-to-Tip Length : 7 ' 8 "

Maximum Thickness: 3.20 "

Comments:

Fun Shape / Egg Series

Nose rocker measured at tip.

Tail rocker measured at tip.

Bottom measured at 12 " from nose, 24 " from nose and so on; also, 12 " from tail, 24 " from tail and so on.

Deck thickness measured at 12 " from nose, 12 " from tail and at midpoint.

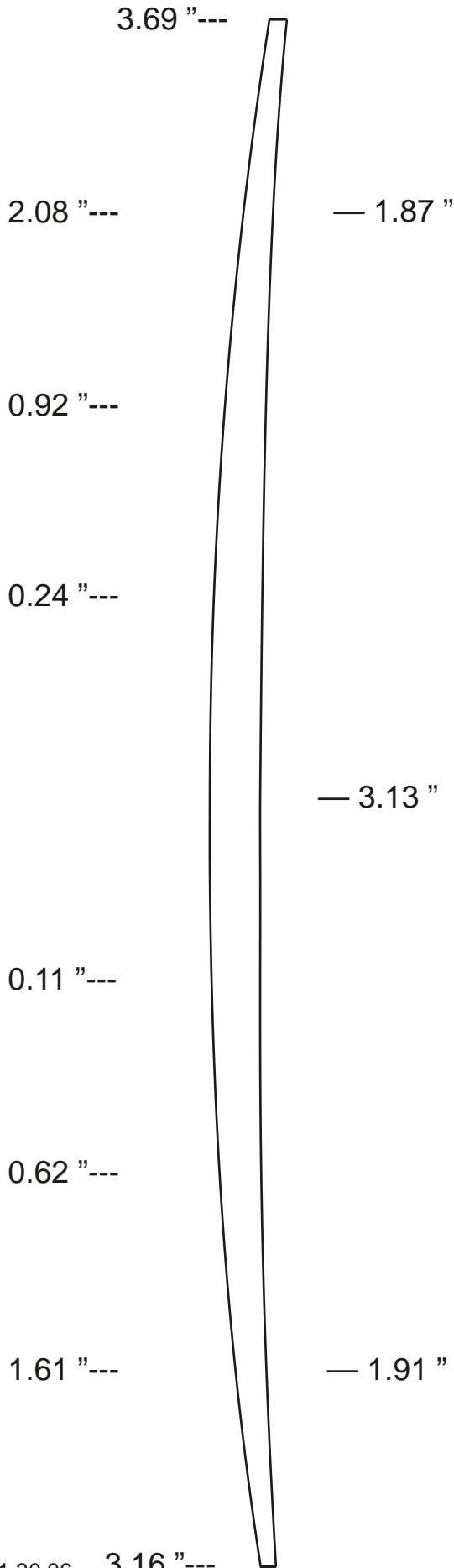
Please note:

All dimensions can be changed for a customized purpose-built blank!



www.sfoam.com

8' 0" N



Tip-to-Tip Length : 8 ' 0 "

Maximum Thickness: 3.13 "

Comments:

Mini Longboard

Flat sweet spot on bottom
from mid point to 5 inches
towards tail.

Nose rocker measured at tip.

Tail rocker measured at tip.

Bottom measured at 12 " from nose, 24 " from nose and so on; also, 12 " from tail, 24 " from tail and so on.

Deck thickness measured at 12 " from nose, 12 " from tail and at midpoint.

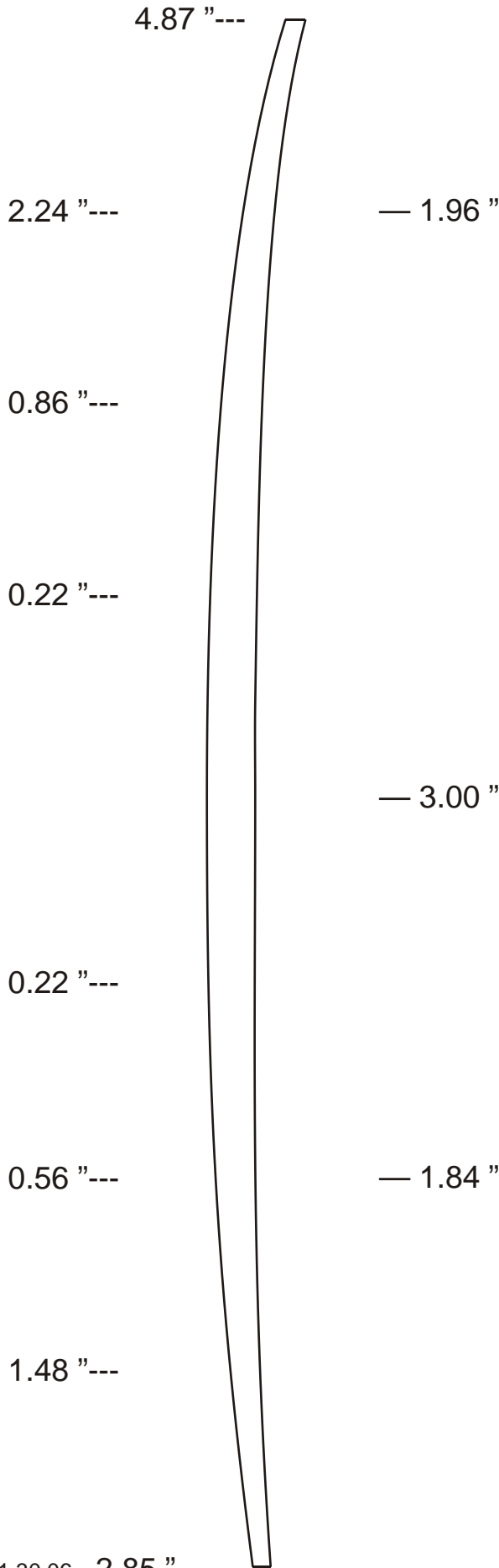
Please note:

All dimensions can be changed for a customized purpose-built blank!



www.sfoam.com

8' 0" PL



Tip-to-Tip Length : 8 ' 0 "

Maximum Thickness: 3.00 "

Comments:
Thinner Performance
Longboard

Nose rocker measured at tip.

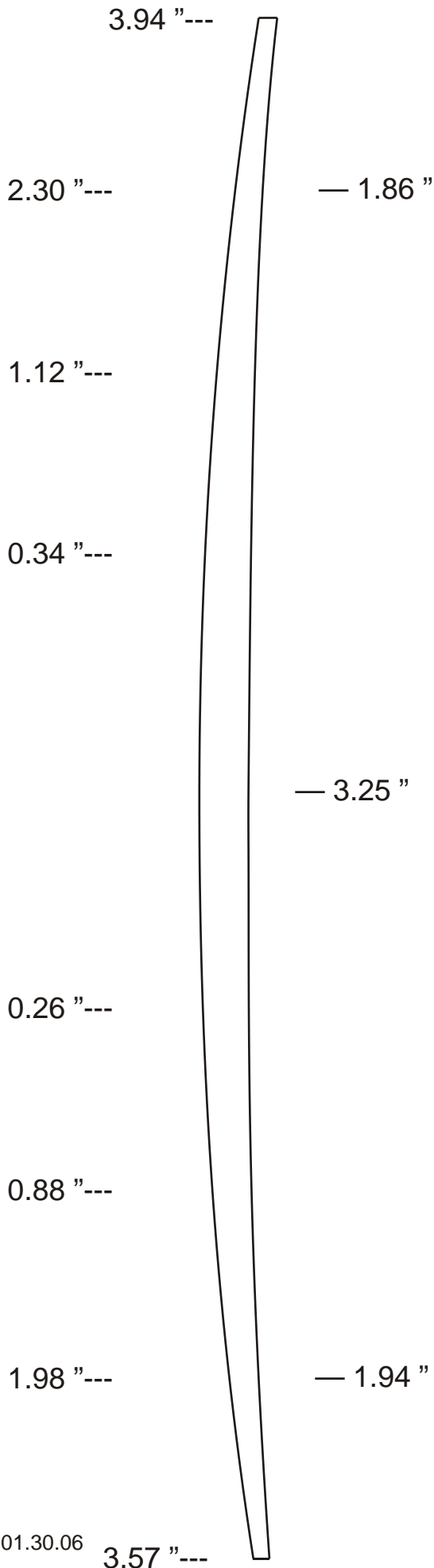
Tail rocker measured at tip.

Bottom measured at 12 " from nose, 24 " from nose and so on; also, 12 " from tail, 24 " from tail and so on.

Deck thickness measured at 12 " from nose, 12 " from tail and at midpoint.

Please note:

All dimensions can be changed for a customized purpose-built blank!



www.sfoam.com

8' 6" N

Tip-to-Tip Length : 8 ' 6 "

Maximum Thickness: 3.25 "

Comments:

Longboard

Flat sweet spot

on bottom from center to 3
inches towards tail.

Nose rocker measured at tip.

Tail rocker measured at tip.

Bottom measured at 12 " from nose, 24 " from nose and so on; also, 12 " from tail, 24 " from tail and so on.

Deck thickness measured at 12 " from nose, 12 " from tail and at midpoint.

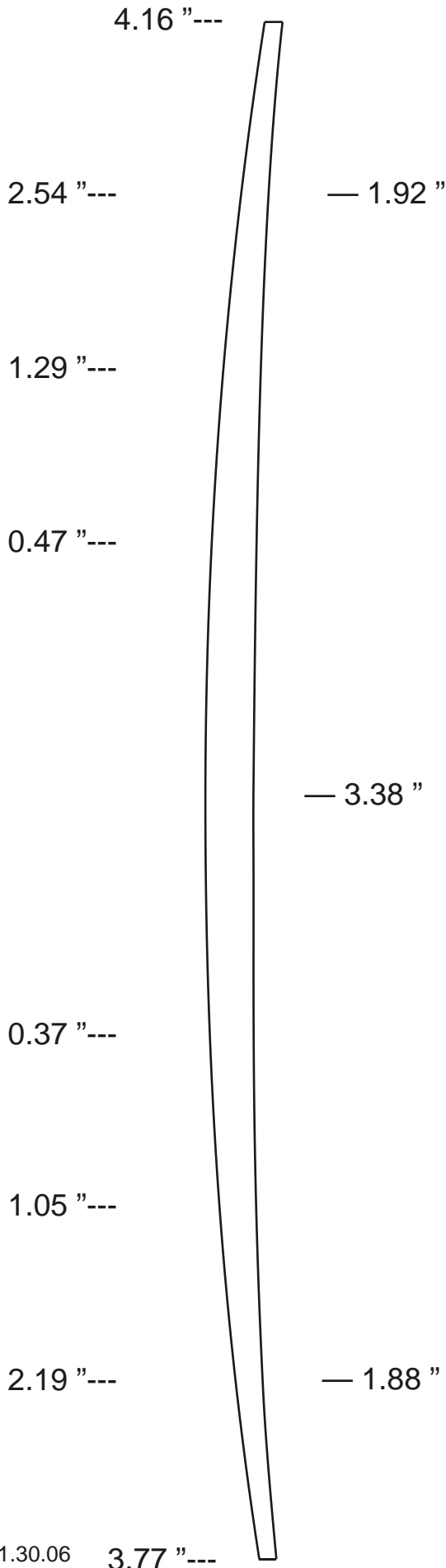
Please note:

All dimensions can be changed for a customized purpose-built blank!



www.sfoam.com

9' 0" N



Tip-to-Tip Length : 9 ' 0 "

Maximum Thickness: 3.38 "

Comments:

Longboard

Flat sweet spot
on bottom from center 3
inches towards tail.

Nose rocker measured at tip.

Tail rocker measured at tip.

Bottom measured at 12 " from nose, 24 " from nose and so on; also, 12 " from tail, 24 " from tail and so on.

Deck thickness measured at 12 " from nose, 12 " from tail and at midpoint.

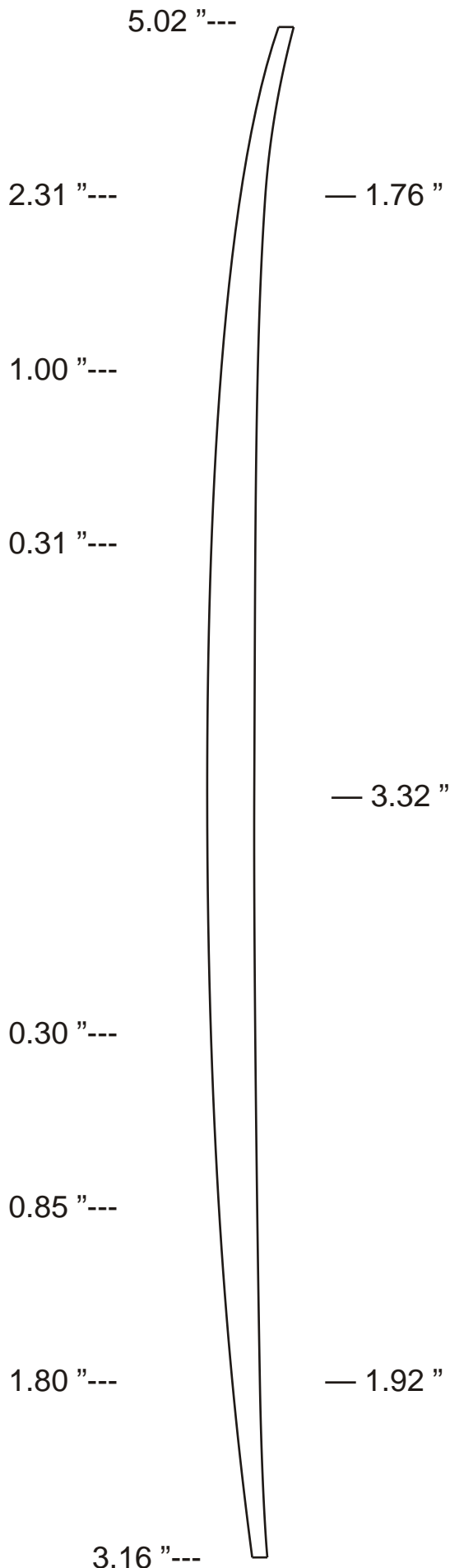
Please note:

All dimensions can be changed for a customized purpose-built blank!



www.sfoam.com

9' 0" SPI



Tip-to-Tip Length : 9 ' 0 "

Maximum Thickness: 3.32 "

Comments:

South Padre Island
Performance longboard
Flat "sweet spot"
from center to 5" back.
Extra thick for high-dome
deck.

Nose rocker measured at tip.

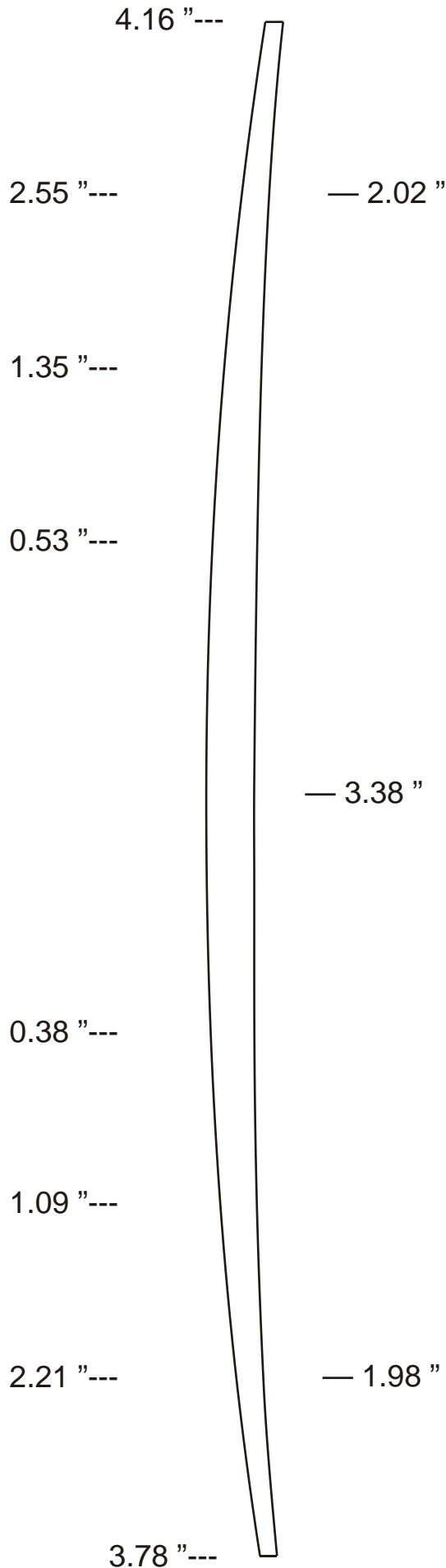
Tail rocker measured at tip.

Bottom measured at 12 " from nose, 24 " from nose and so on; also, 12 " from tail, 24 " from tail and so on.

Deck thickness measured at 12 " from nose, 12 " from tail and at midpoint.

Please note:

All dimensions can be changed for a customized purpose-built blank!



9' 3" N

Tip-to-Tip Length : 9' 3"

Maximum Thickness: 3.37"

Comments:

Longboard

Flat sweet spot
on bottom from center 3
inches towards tail.

Nose rocker measured at tip.

Tail rocker measured at tip.

Bottom measured at 12"
from nose, 24" from nose
and so on; also, 12" from
tail, 24" from tail and so on.

Deck thickness measured at
12" from nose, 12" from tail
and at midpoint.

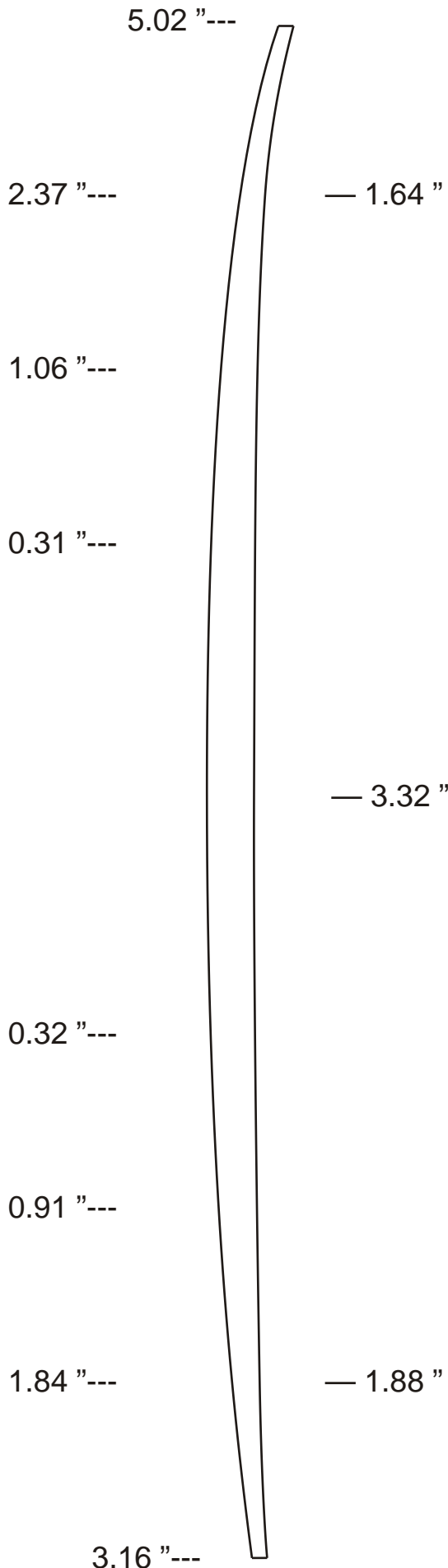
Please note:

All dimensions can be
changed for a customized
purpose-built blank!



www.sfoam.com

9' 3" SPI



Tip-to-Tip Length : 9 ' 3 "

Maximum Thickness: 3.32 "

Comments:

South Padre Island

Performance Longboard

Flat "sweet spot"

from center to 5" back.

Extra thick for high-dome
deck.

Nose rocker measured at tip.

Tail rocker measured at tip.

Bottom measured at 12 " from nose, 24 " from nose and so on; also, 12 " from tail, 24 " from tail and so on.

Deck thickness measured at 12 " from nose, 12 " from tail and at midpoint.

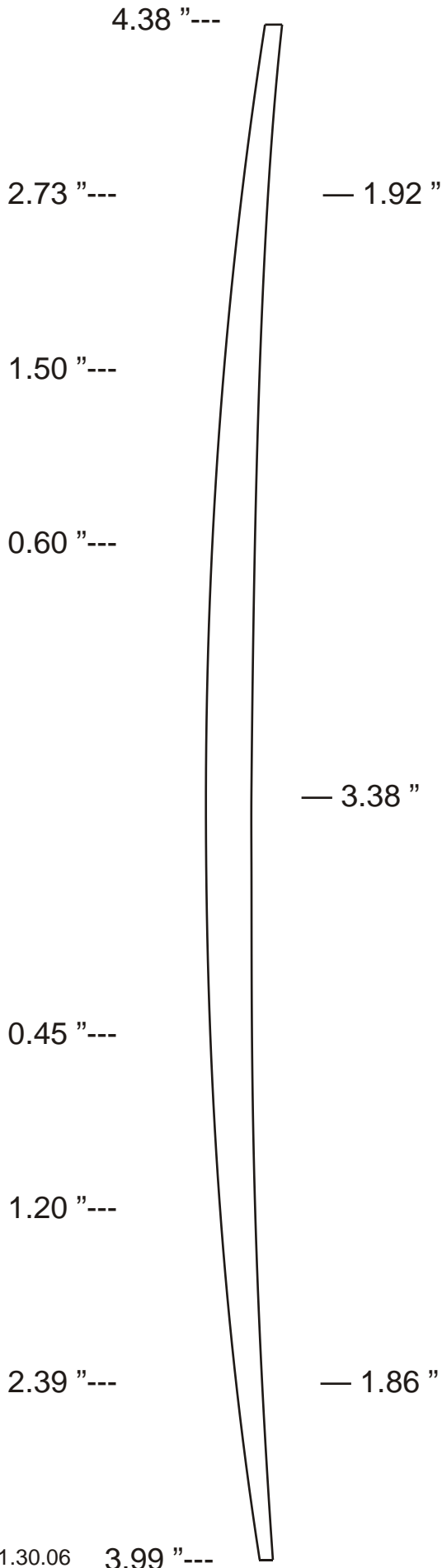
Please note:

All dimensions can be changed for a customized purpose-built blank!



www.sfoam.com

9' 6" N



Tip-to-Tip Length : 9 ' 6 "

Maximum Thickness: 3.38 "

Comments:

Longboard

Flat sweet spot
on bottom from center 3
inches towards tail.

Nose rocker measured at tip.

Tail rocker measured at tip.

Bottom measured at 12 " from nose, 24 " from nose and so on; also, 12 " from tail, 24 " from tail and so on.

Deck thickness measured at 12 " from nose, 12 " from tail and at midpoint.

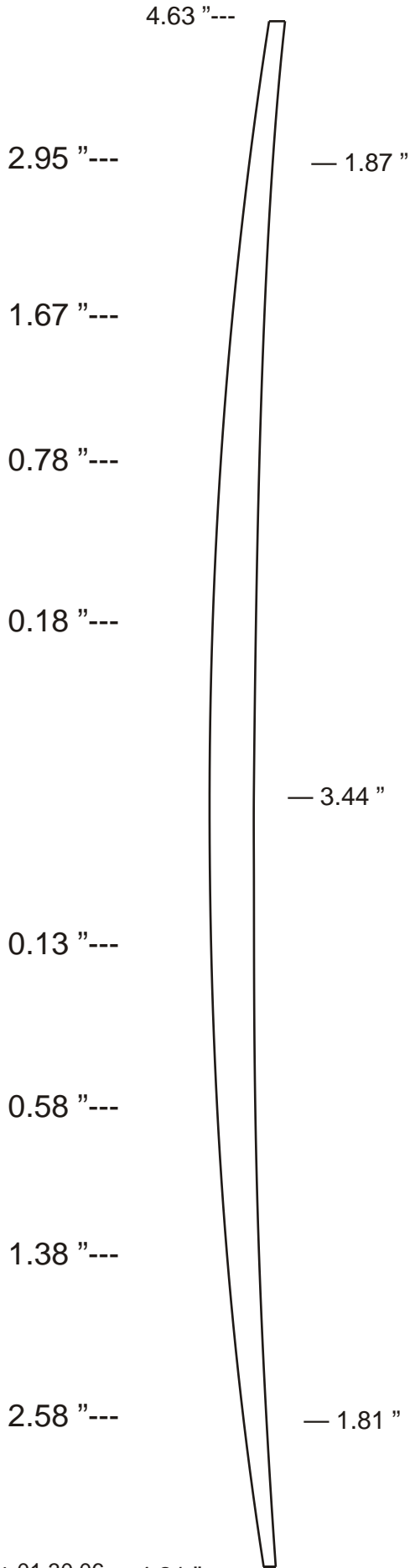
Please note:

All dimensions can be changed for a customized purpose-built blank!



www.sfoam.com

10' 0" N



Tip-to-Tip Length : 10 ' 0 "

Maximum Thickness: 3.44 "

Comments:

Longboard

Flat " sweet spot " on bottom
3 " towards tail.

Nose rocker measured at tip.

Tail rocker measured at tip.

Bottom measured at 12 " from nose, 24 " from nose and so on; also, 12 " from tail, 24 " from tail and so on.

Deck thickness measured at 12 " from nose, 12 " from tail and at midpoint.

Please note:

All dimensions can be changed for a customized purpose-built blank!

Special

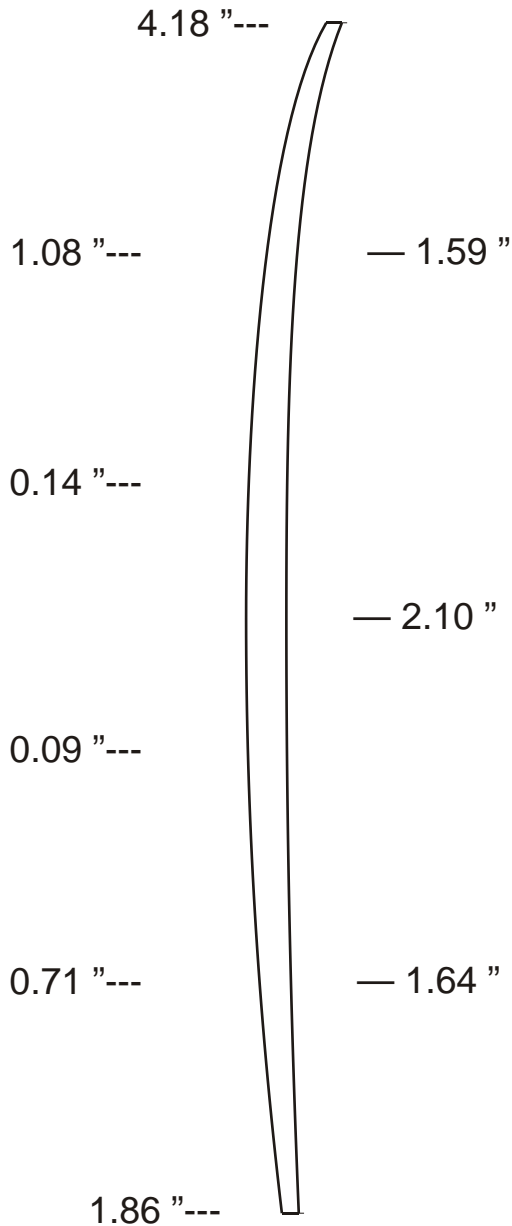
Order

Rockers



www.sfoam.com

5' 2" G



Tip-to-Tip Length : 5 ' 2 "
Maximum Thickness: 2.10 "
Comments:

Nose rocker measured at tip.

Tail rocker measured at tip.

Bottom measured at 12 " from nose, 24 " from nose, 12 " from tail and 24 " from tail.

Deck thickness measured at 12 " from nose, 12 " from tail and at midpoint.

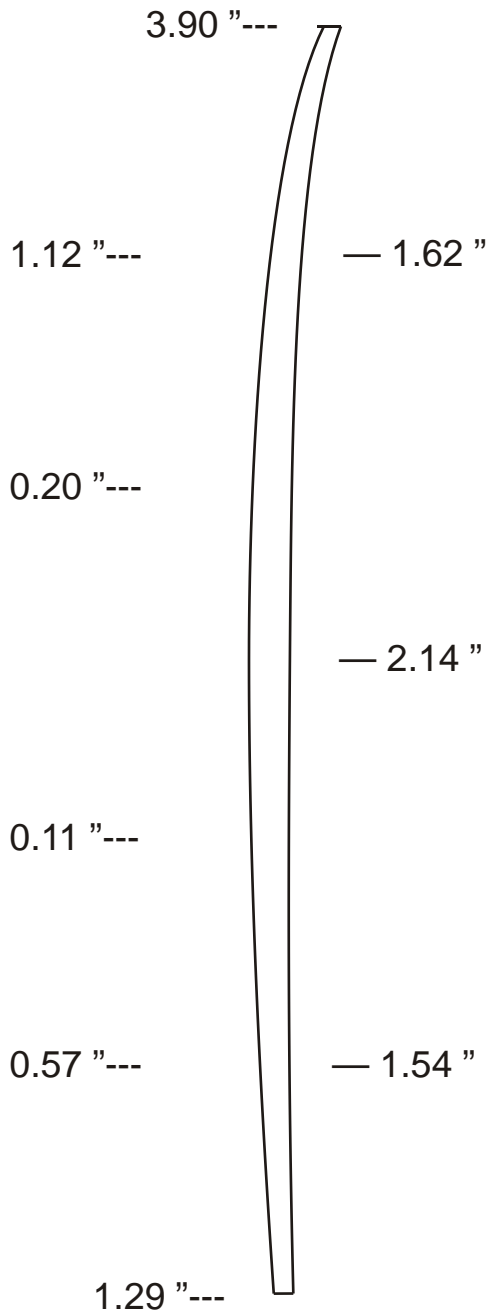
Please note:

All dimensions can be changed for a customized purpose-built blank!



www.sfoam.com

5' 6" TF



Tip-to-Tip Length : 5 ' 6 "

Maximum Thickness: 2.14 "

Comments:

Modern Twin Fin Series

Nose rocker measured at tip.

Tail rocker measured at tip.

Bottom measured at 12 " from nose, 24 " from nose and so on; also, 12 " from tail, 24 " from tail and so on.

Deck thickness measured at 12 " from nose, 12 " from tail and at midpoint.

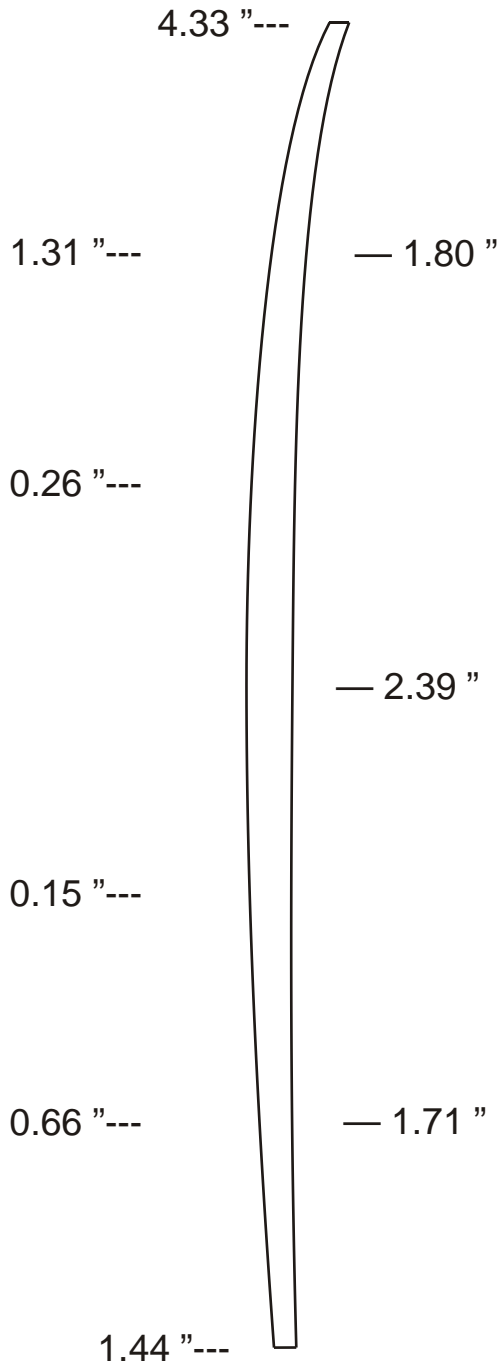
Please note:

All dimensions can be changed for a customized purpose-built blank!



www.sfoam.com

5' 9" TF



Tip-to-Tip Length : 5 ' 6 "

Maximum Thickness: 2.39 "

Comments:

Modern Twin Fin Series

Nose rocker measured at tip.

Tail rocker measured at tip.

Bottom measured at 12 " from nose, 24 " from nose and so on; also, 12 " from tail, 24 " from tail and so on.

Deck thickness measured at 12 " from nose, 12 " from tail and at midpoint.

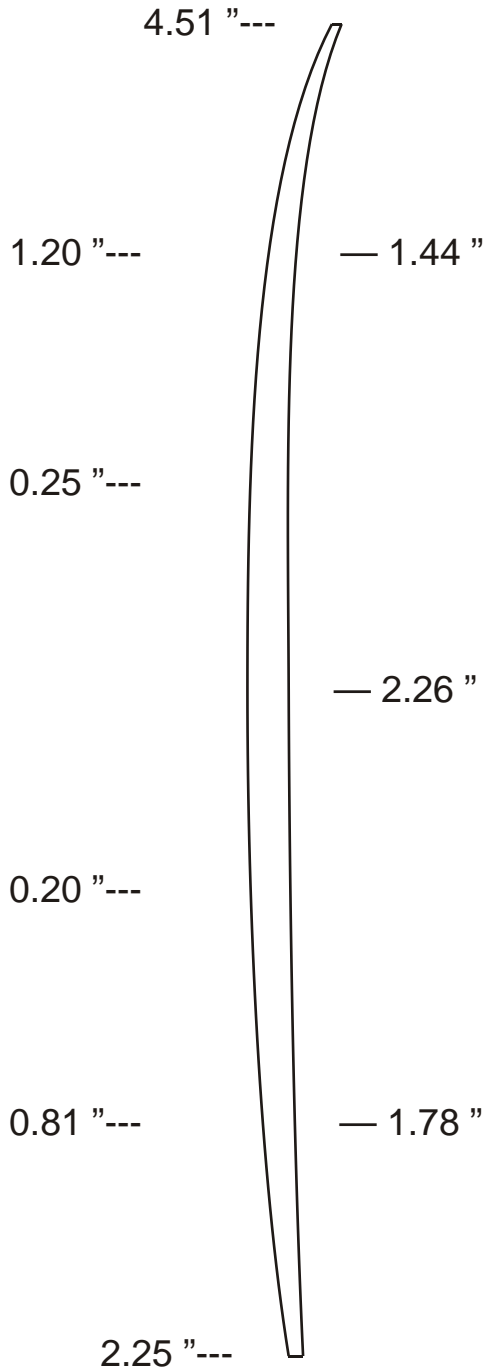
Please note:

All dimensions can be changed for a customized purpose-built blank!



www.sfoam.com

5' 9" XP



Tip-to-Tip Length : 5 ' 9 "

Maximum Thickness: 2.26 "

Comments:

"XtraPerformance"

Close tolerance, Competition -
Style blanks.

Short board series 5 ' 9 "
through 6 ' 9 ".

Nose rocker measured at tip.

Tail rocker measured at tip.

Bottom measured at 12 " from nose, 24 " from nose and so on; also, 12 " from tail, 24 " from tail and so on.

Deck thickness measured at 12 " from nose, 12 " from tail and at midpoint.

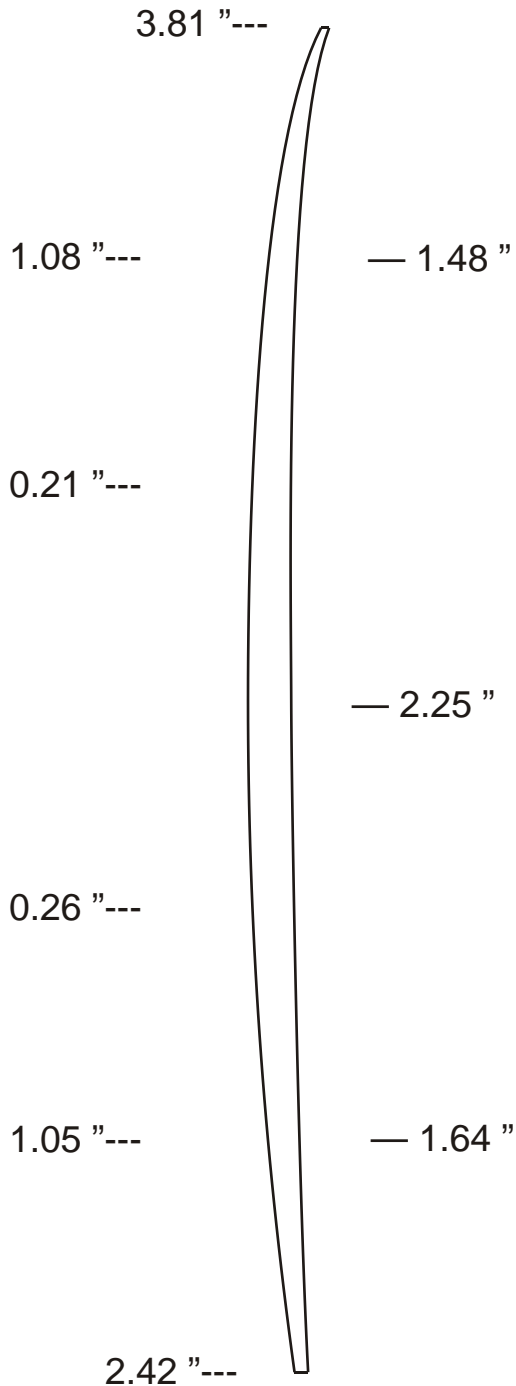
Please note:

All dimensions can be changed for a customized purpose-built blank!



www.sfoam.com

5' 10" F



Tip-to-Tip Length : 5 ' 10 "

Maximum Thickness: 2.25 "

Comments:
Modern Fish

Nose rocker measured at tip.

Tail rocker measured at tip.

Bottom measured at 12 " from nose, 24 " from nose and so on; also, 12 " from tail, 24 " from tail and so on.

Deck thickness measured at 12 " from nose, 12 " from tail and at midpoint.

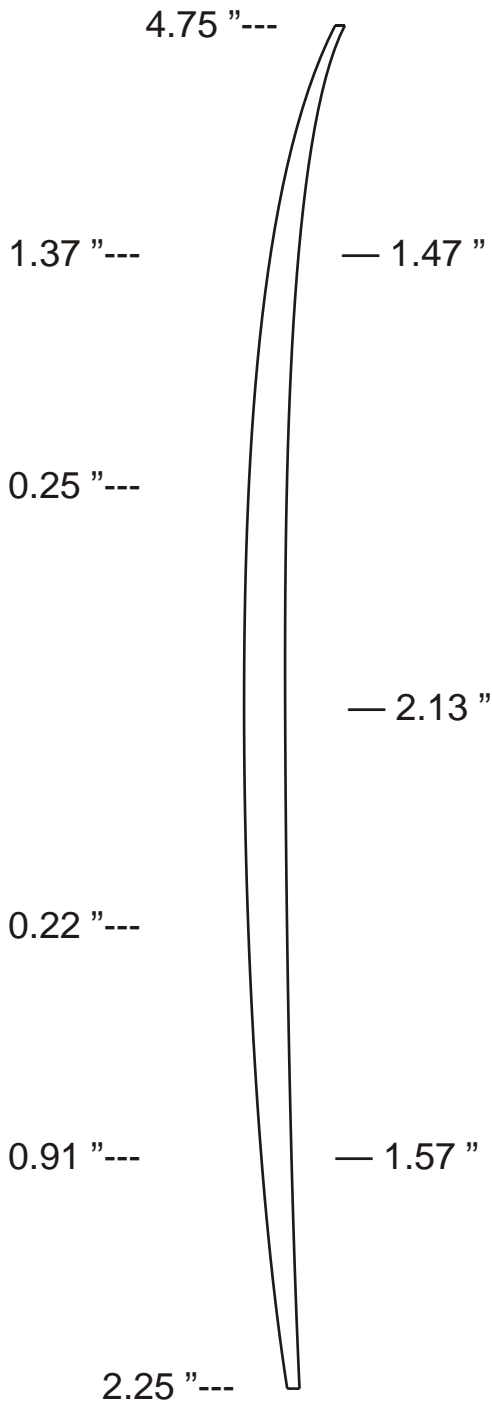
Please note:

All dimensions can be changed for a customized purpose-built blank!



www.sfoam.com

5' 11" XP



Tip-to-Tip Length : 5 ' 11 "

Maximum Thickness: 2.13 "

Comments:

"XtraPerformance"

Close tolerance, Competition -
Style blanks.

Short board series 5 ' 9 "
through 6 ' 9 ".

Nose rocker measured at tip.

Tail rocker measured at tip.

Bottom measured at 12 "
from nose, 24 " from nose
and so on; also, 12 " from
tail, 24 " from tail and so on.

Deck thickness measured at
12 " from nose, 12 " from tail
and at midpoint.

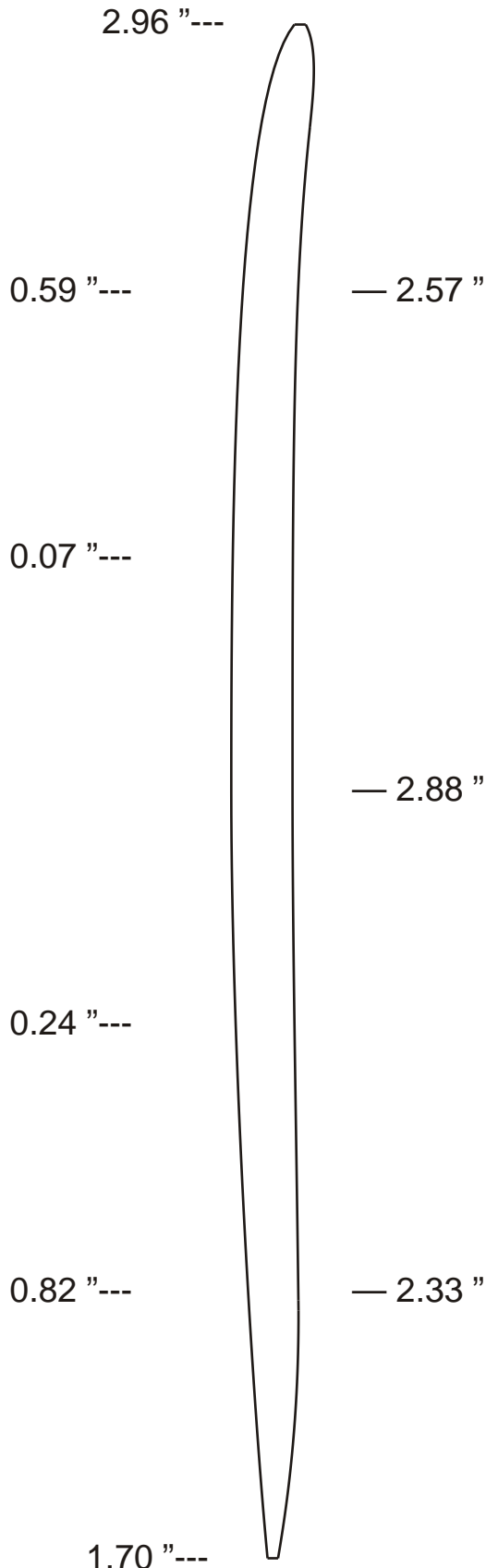
Please note:

All dimensions can be
changed for a customized
purpose-built blank!



www.sfoam.com

6' 0" RF



Tip-to-Tip Length : 6 ' 0 "

Maximum Thickness: 2.88 "

Comments:

Close tolerance Retro Fish blank. Should finish out at 2.75 thickness. Can be scaled to fit.

Special pricing applies to this blank, due to extra thickness.

Nose rocker measured at tip.

Tail rocker measured at tip.

Bottom measured at 12 " from nose, 24 " from nose and so on; also, 12 " from tail, 24 " from tail and so on.

Deck thickness measured at 12 " from nose, 12 " from tail and at midpoint.

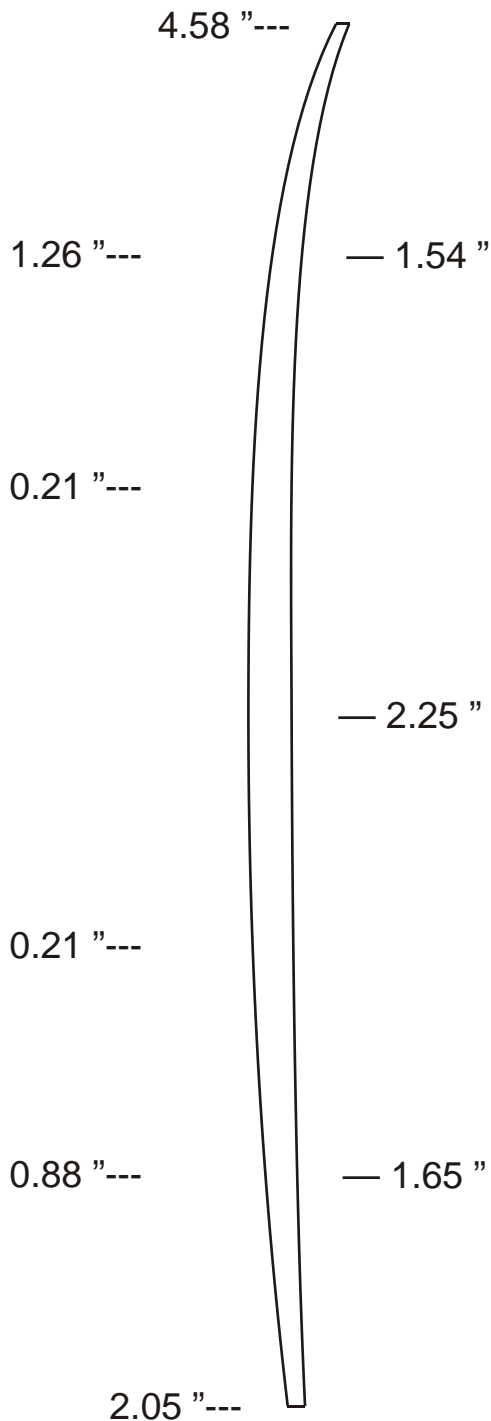
Please note:

All dimensions can be changed for a customized purpose-built blank!



www.sfoam.com

6' 0" S



Tip-to-Tip Length : 6 ' 0 "
Maximum Thickness: 2.25 "
Comments:

Nose rocker measured at tip.

Tail rocker measured at tip.

Bottom measured at 12 "
from nose, 24 " from nose
and so on; also, 12 " from
tail, 24 " from tail and so on.

Deck thickness measured at
12 " from nose, 12 " from tail
and at midpoint.

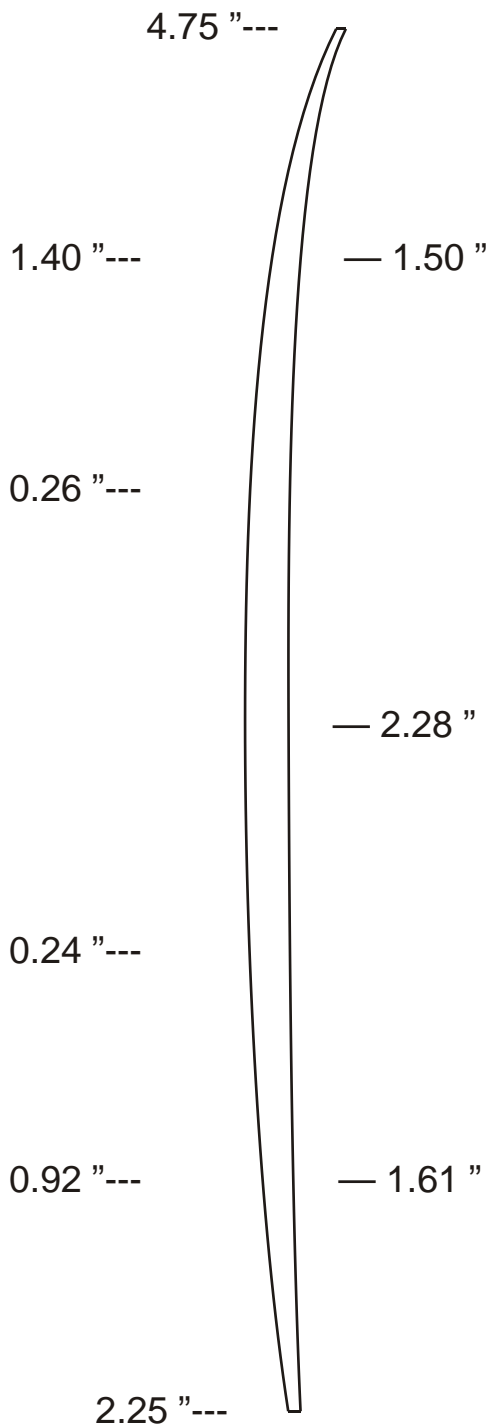
Please note:

All dimensions can be
changed for a customized
purpose-built blank!



www.sfoam.com

6' 0" XP



Tip-to-Tip Length : 6 ' 0 "

Maximum Thickness: 2.28 "

Comments:

"XtraPerformance"

Close tolerance, Competition -
Style blanks.

Short board series 5 ' 9 "
through 6 ' 9 ".

Nose rocker measured at tip.

Tail rocker measured at tip.

Bottom measured at 12 " from nose, 24 " from nose and so on; also, 12 " from tail, 24 " from tail and so on.

Deck thickness measured at 12 " from nose, 12 " from tail and at midpoint.

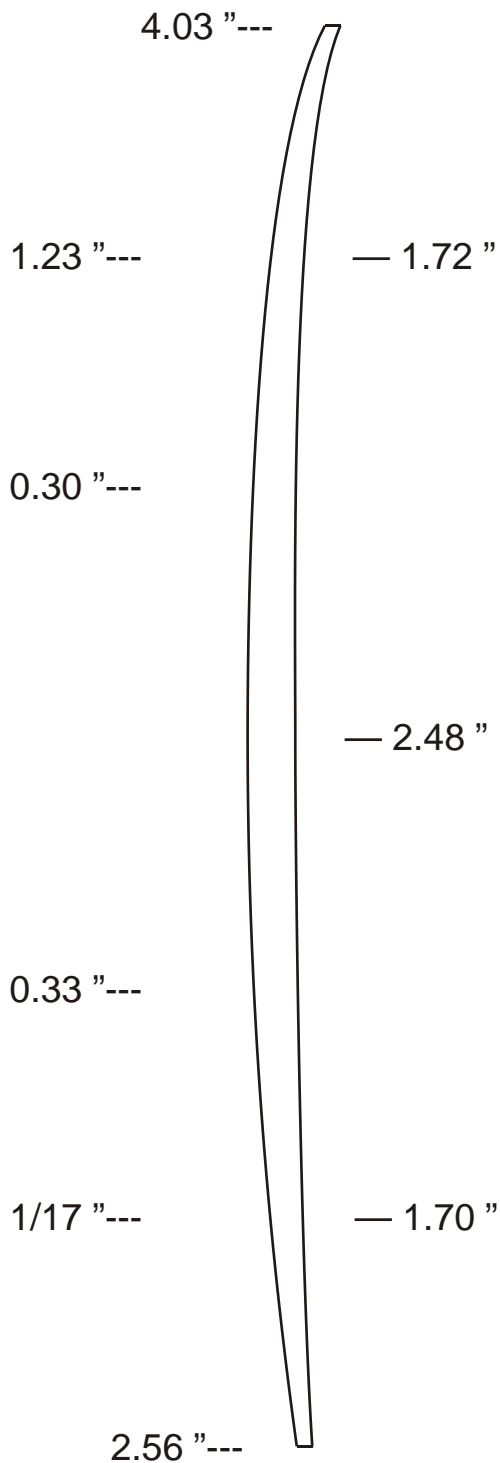
Please note:

All dimensions can be changed for a customized purpose-built blank!



www.sfoam.com

6' 2" F



Tip-to-Tip Length : 6 ' 2 "

Maximum Thickness: 2.48 "

Comments:
Modern Fish Series

Nose rocker measured at tip.

Tail rocker measured at tip.

Bottom measured at 12 " from nose, 24 " from nose and so on; also, 12 " from tail, 24 " from tail and so on.

Deck thickness measured at 12 " from nose, 12 " from tail and at midpoint.

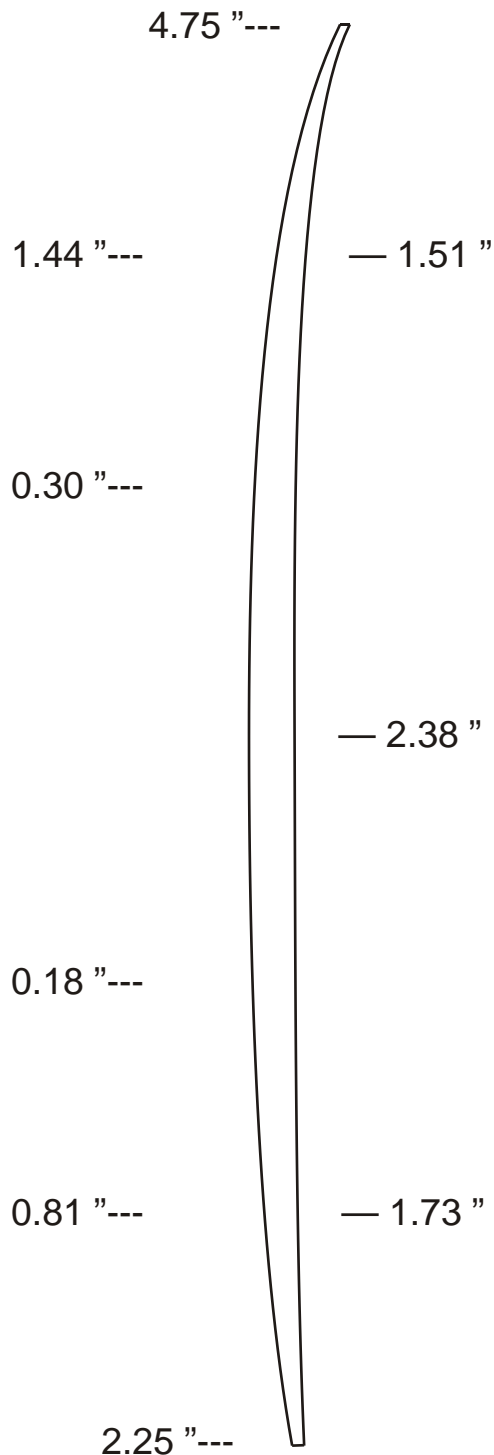
Please note:

All dimensions can be changed for a customized purpose-built blank!



www.sfoam.com

6' 2" XP



Tip-to-Tip Length : 6 ' 2 "

Maximum Thickness: 2.38 "

Comments:

"XtraPerformance"

Close tolerance, Competition -
Style blanks.

Short board series 5 ' 9 "
through 6 ' 9 ".

Nose rocker measured at tip.

Tail rocker measured at tip.

Bottom measured at 12 " from nose, 24 " from nose and so on; also, 12 " from tail, 24 " from tail and so on.

Deck thickness measured at 12 " from nose, 12 " from tail and at midpoint.

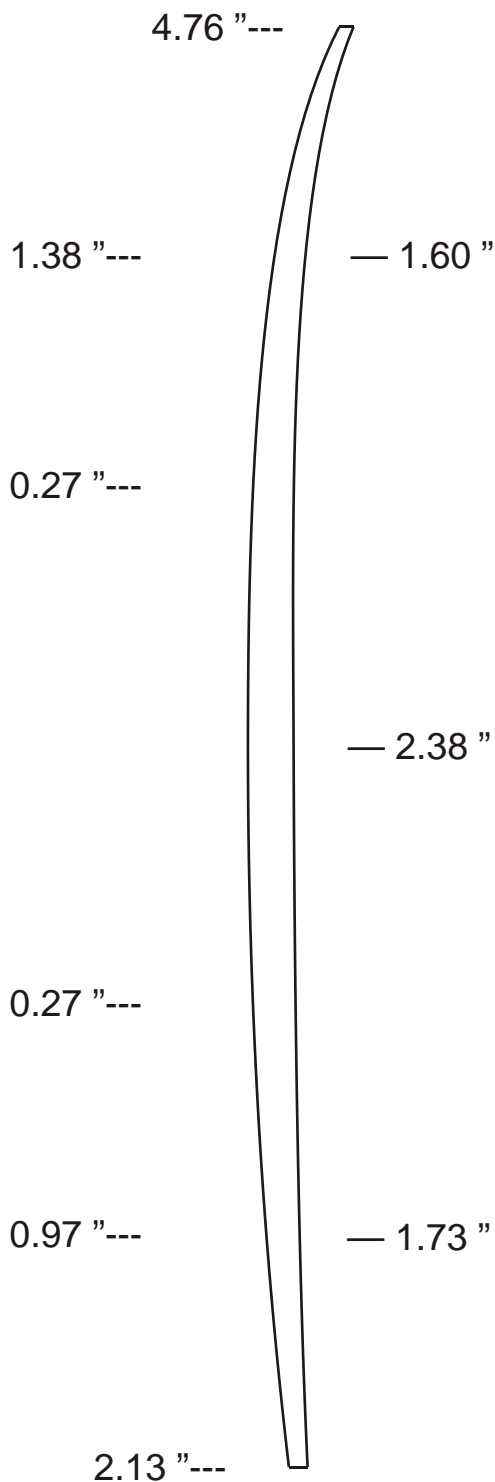
Please note:

All dimensions can be changed for a customized purpose-built blank!



www.sfoam.com

6' 3" S



Tip-to-Tip Length : 6 ' 3 "

Maximum Thickness: 2.38 "

Comments:
Squash Tail Series

Nose rocker measured at tip.

Tail rocker measured at tip.

Bottom measured at 12 " from nose, 24 " from nose and so on; also, 12 " from tail, 24 " from tail and so on.

Deck thickness measured at 12 " from nose, 12 " from tail and at midpoint.

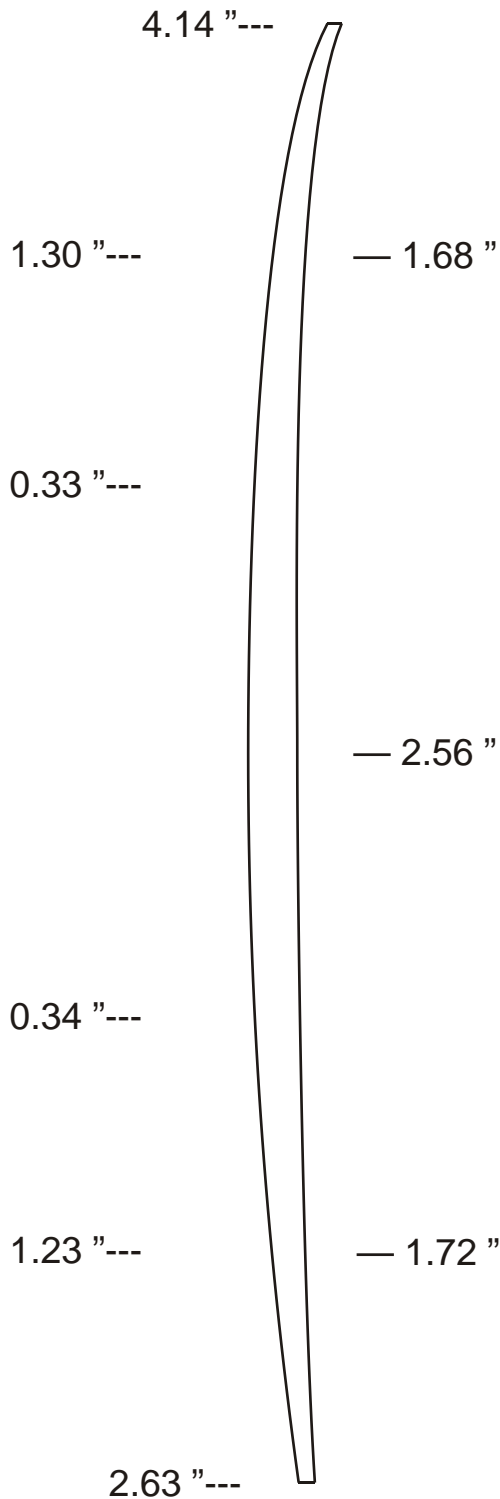
Please note:

All dimensions can be changed for a customized purpose-built blank!



www.sfoam.com

6' 4" F



Tip-to-Tip Length : 6 ' 4 "

Maximum Thickness: 2.56 "

Comments:

Modern Fish Series

Nose rocker measured at tip.

Tail rocker measured at tip.

Bottom measured at 12 " from nose, 24 " from nose and so on; also, 12 " from tail, 24 " from tail and so on.

Deck thickness measured at 12 " from nose, 12 " from tail and at midpoint.

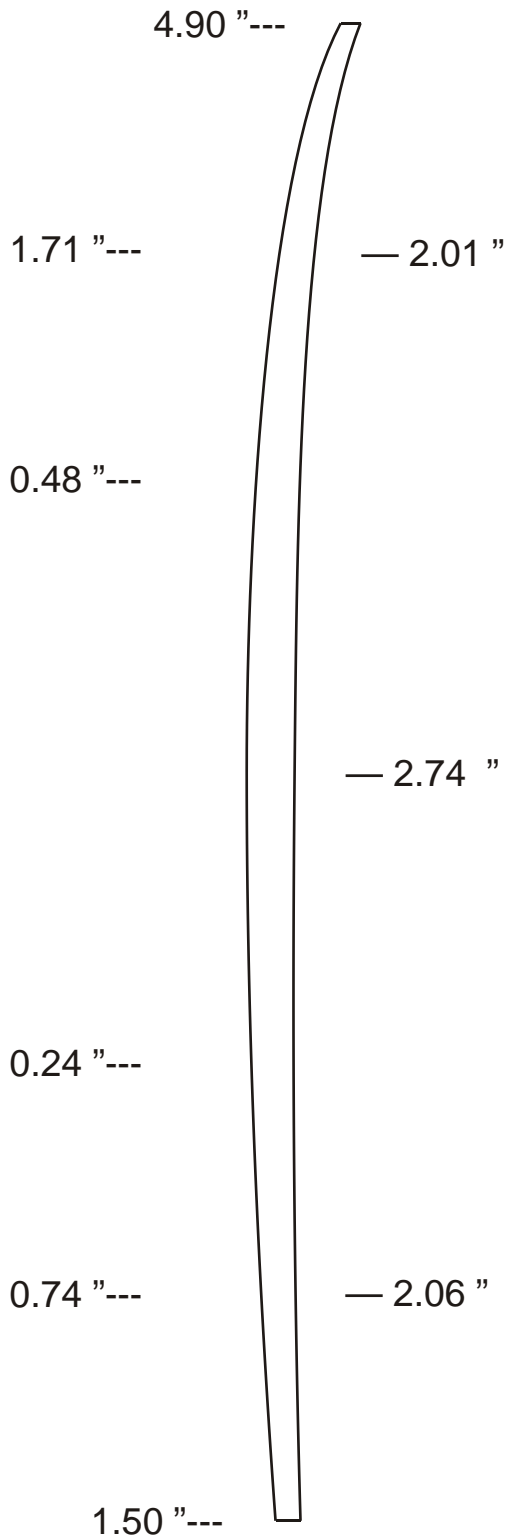
Please note:

All dimensions can be changed for a customized purpose-built blank!



www.sfoam.com

6' 6" RP



Tip-to-Tip Length : 6 ' 6 "

Maximum Thickness: 2.74 "

Comments:

Rounded Point / Micro Gun Series

Lower tail rocker, extra thickness in tail and nose.

Nose rocker measured at tip.

Tail rocker measured at tip.

Bottom measured at 12 " from nose, 24 " from nose and so on; also, 12 " from tail, 24 " from tail and so on.

Deck thickness measured at 12 " from nose, 12 " from tail and at midpoint.

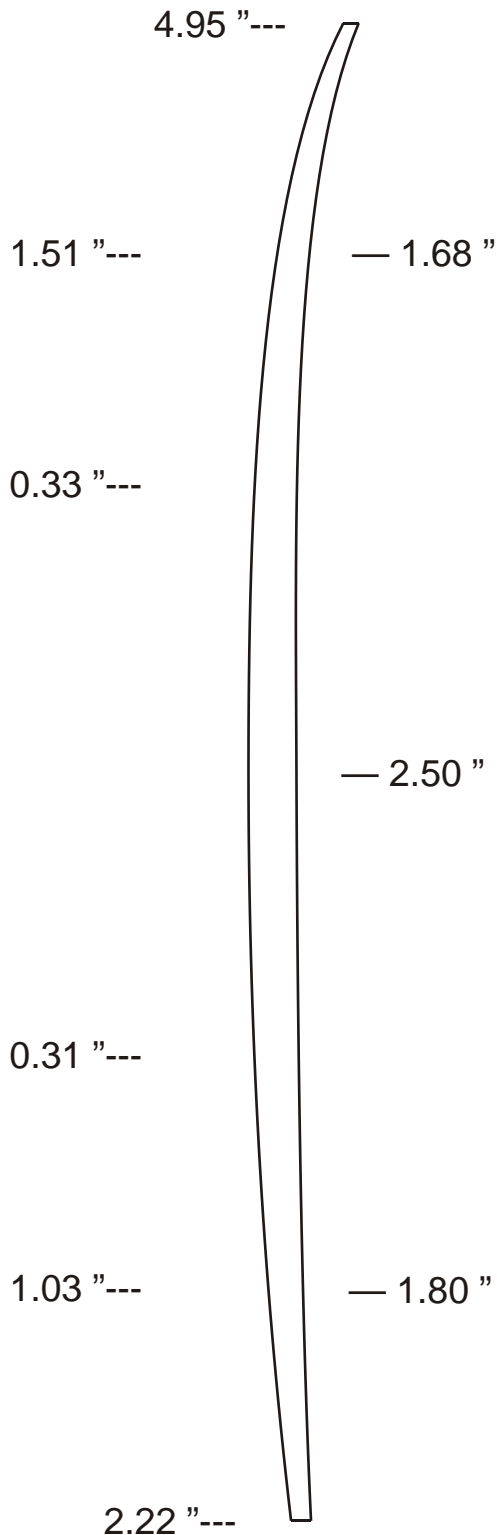
Please note:

All dimensions can be changed for a customized purpose-built blank!



www.sfoam.com

6' 6" S



Tip-to-Tip Length : 6 ' 6 "

Maximum Thickness: 2.50 "

Comments:
Squash Tail Series

Nose rocker measured at tip.

Tail rocker measured at tip.

Bottom measured at 12 " from nose, 24 " from nose and so on; also, 12 " from tail, 24 " from tail and so on.

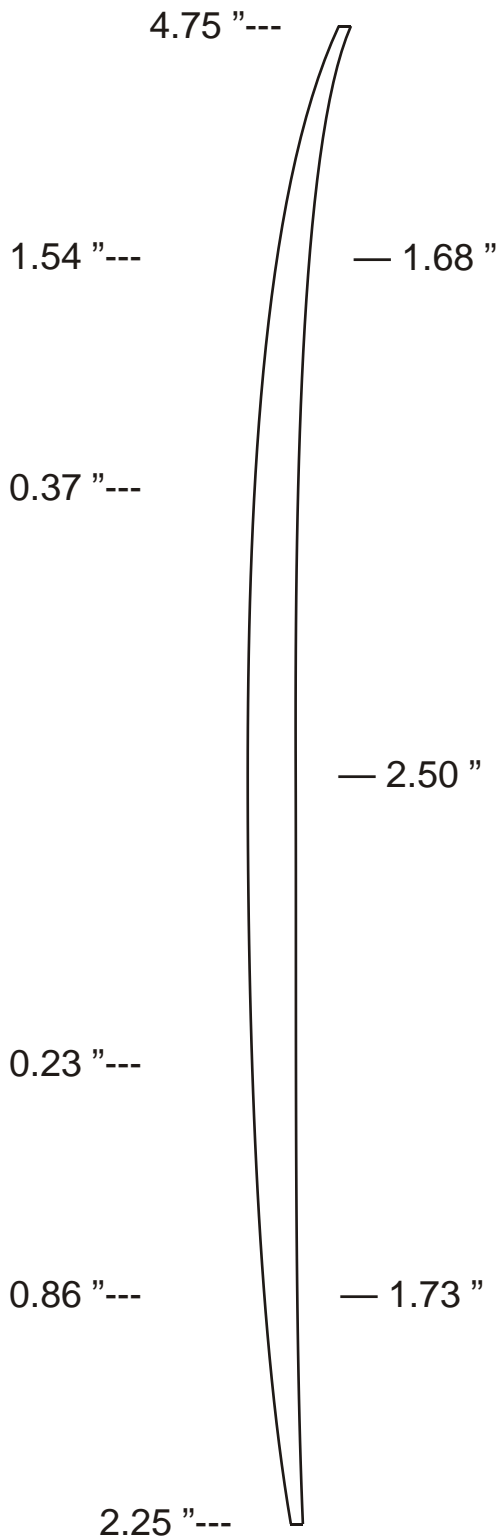
Deck thickness measured at 12 " from nose, 12 " from tail and at midpoint.

Please note:

All dimensions can be changed for a customized purpose-built blank!



www.sfoam.com



6' 6" XP

Tip-to-Tip Length : 6' 6"

Maximum Thickness: 2.50"

Comments:

"XtraPerformance"

Close tolerance, Competition -
Style blanks.

Short board series 5' 9"
through 6' 9".

Nose rocker measured at tip.

Tail rocker measured at tip.

Bottom measured at 12"
from nose, 24" from nose
and so on; also, 12" from
tail, 24" from tail and so on.

Deck thickness measured at
12" from nose, 12" from tail
and at midpoint.

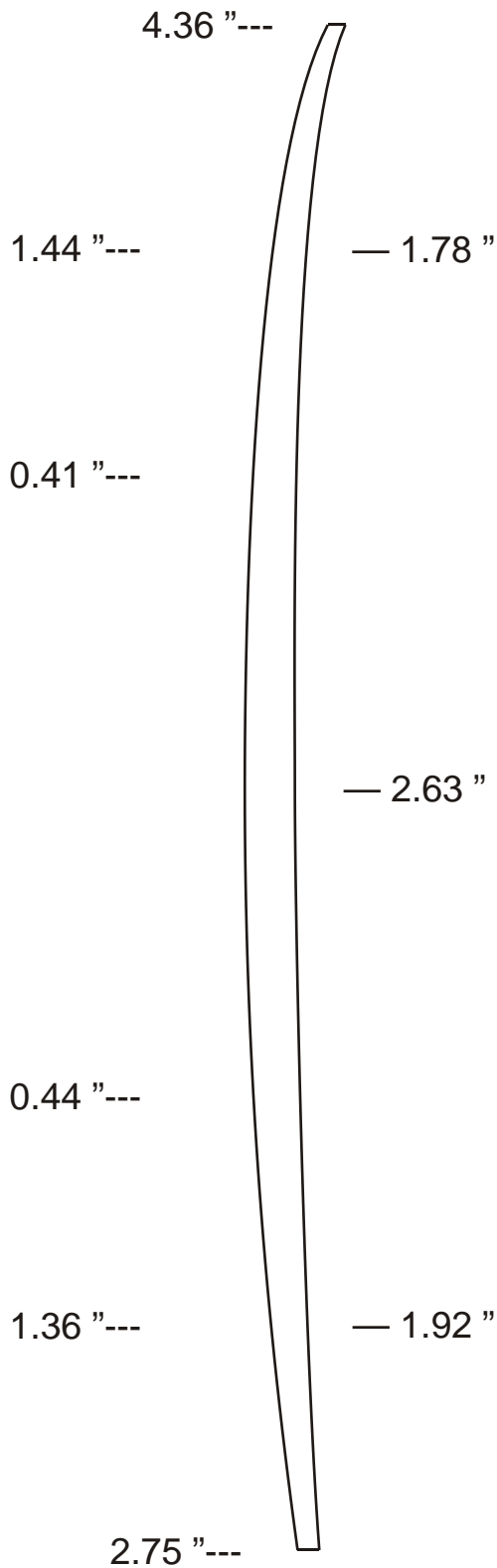
Please note:

All dimensions can be
changed for a customized
purpose-built blank!



www.sfoam.com

6' 8" F



Tip-to-Tip Length : 6 ' 8 "

Maximum Thickness: 2.63 "

Comments:
Modern Fish Series

Nose rocker measured at tip.

Tail rocker measured at tip.

Bottom measured at 12 " from nose, 24 " from nose and so on; also, 12 " from tail, 24 " from tail and so on.

Deck thickness measured at 12 " from nose, 12 " from tail and at midpoint.

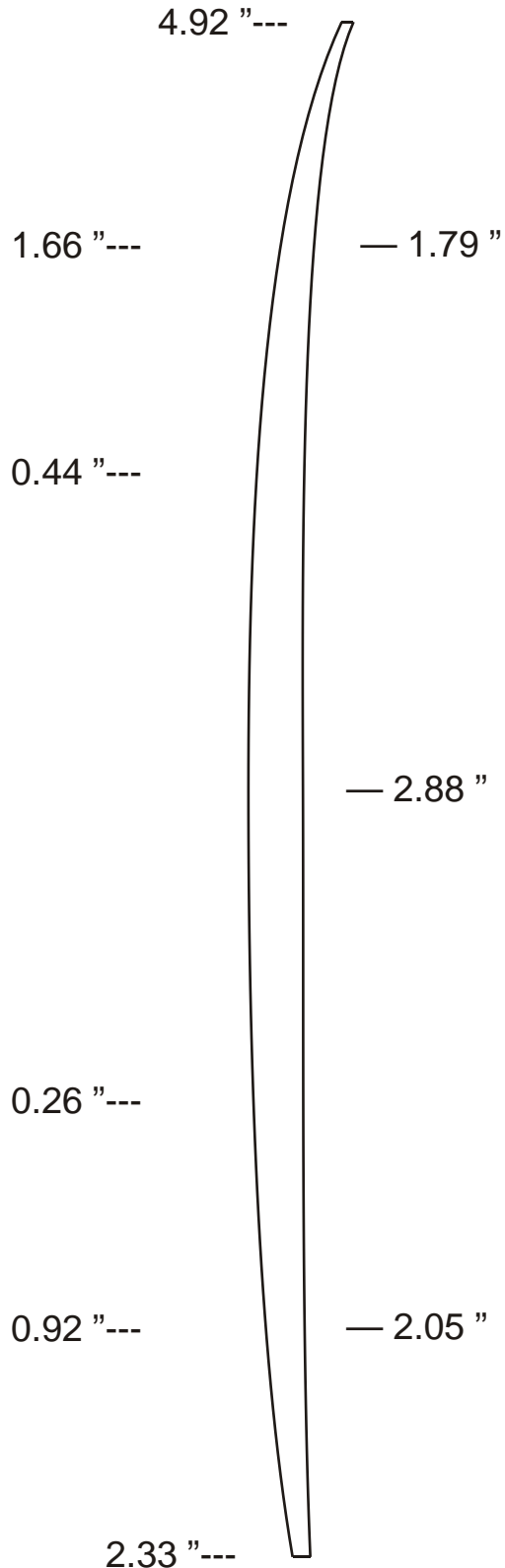
Please note:

All dimensions can be changed for a customized purpose-built blank!



www.sfoam.com

6' 9" XP



Tip-to-Tip Length : 6 ' 9 "

Maximum Thickness: 2.88 "

Comments:

"XtraPerformance"

Close tolerance, Competition -
Style blanks.

Short board series 5 ' 9 "
through 6 ' 9 ".

Nose rocker measured at tip.

Tail rocker measured at tip.

Bottom measured at 12 " from nose, 24 " from nose and so on; also, 12 " from tail, 24 " from tail and so on.

Deck thickness measured at 12 " from nose, 12 " from tail and at midpoint.

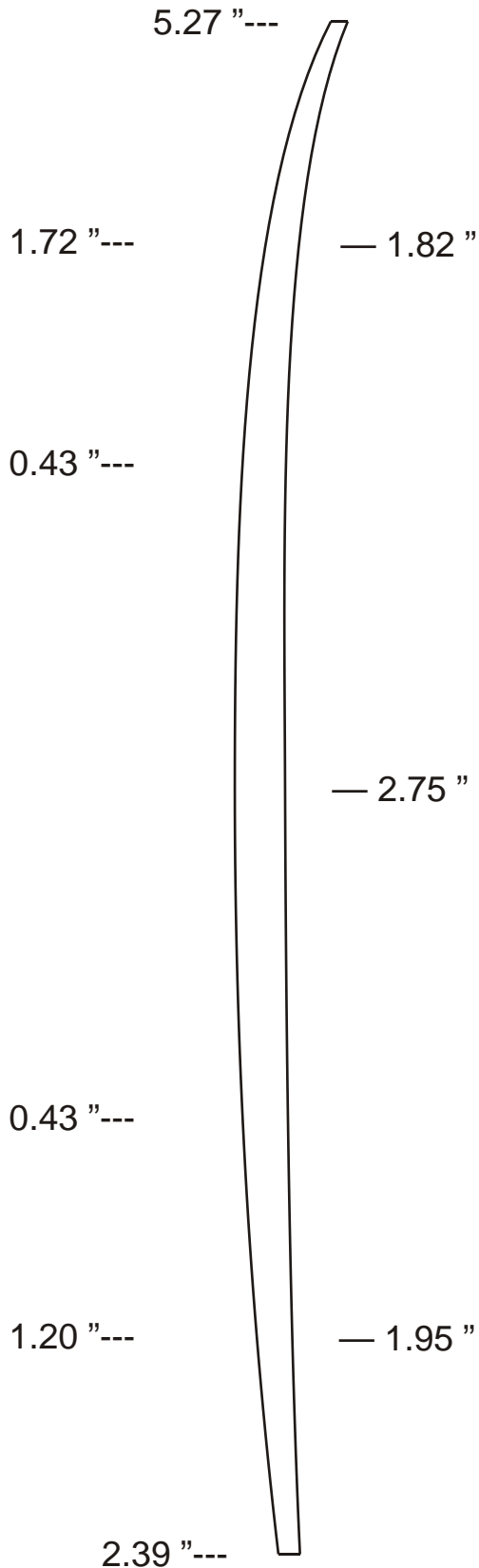
Please note:

All dimensions can be changed for a customized purpose-built blank!



www.sfoam.com

7' 0" S



Tip-to-Tip Length : 7 ' 0 "

Maximum Thickness: 2.75 "

Comments:
Squash Tail Series

Nose rocker measured at tip.

Tail rocker measured at tip.

Bottom measured at 12 " from nose, 24 " from nose and so on; also, 12 " from tail, 24 " from tail and so on.

Deck thickness measured at 12 " from nose, 12 " from tail and at midpoint.

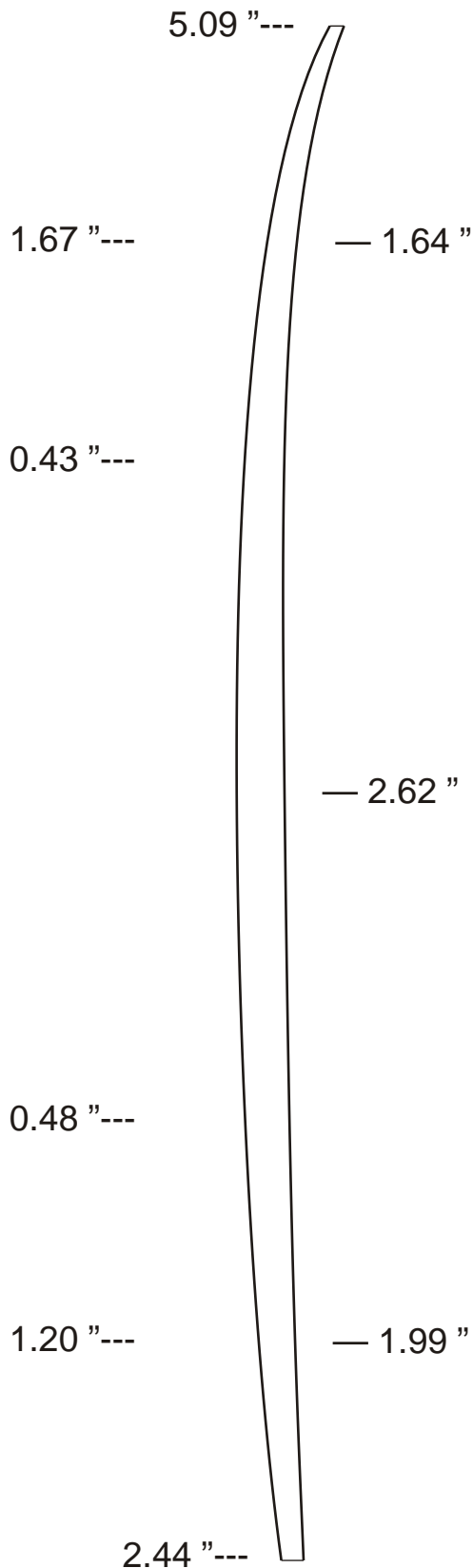
Please note:

All dimensions can be changed for a customized purpose-built blank!



www.sfoam.com

7' 0" X



Tip-to-Tip Length : 7 ' 0 "

Maximum Thickness: 2.62 "

Comments: Lowered nose for easier entry and / or less steep waves.

Nose rocker measured at tip.

Tail rocker measured at tip.

Bottom measured at 12 " from nose, 24 " from nose and so on; also, 12 " from tail, 24 " from tail and so on.

Deck thickness measured at 12 " from nose, 12 " from tail and at midpoint.

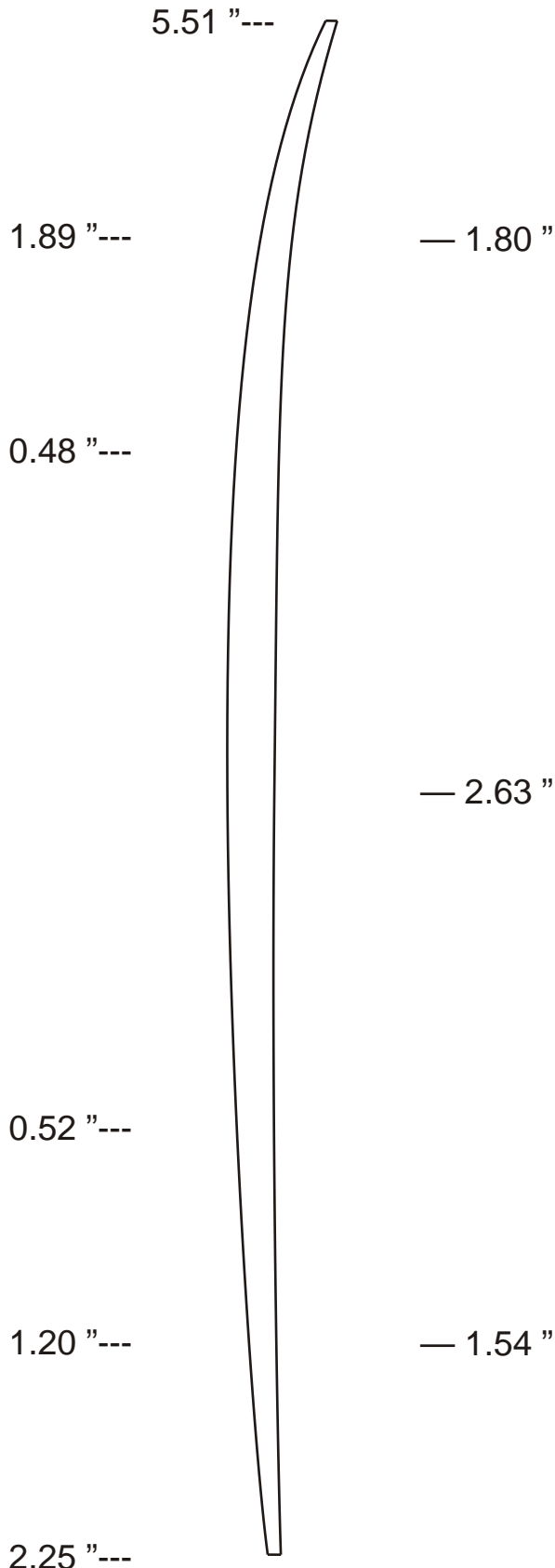
Please note:

All dimensions can be changed for a customized purpose-built blank!



www.sfoam.com

7' 2" RP



Tip-to-Tip Length : 7 ' 2 "

Maximum Thickness: 2.63 "

Comments:
Rounded Point / Mini Gun
Series

Nose rocker measured at tip.

Tail rocker measured at tip.

Bottom measured at 12 " from nose, 24 " from nose and so on; also, 12 " from tail, 24 " from tail and so on.

Deck thickness measured at 12 " from nose, 12 " from tail and at midpoint.

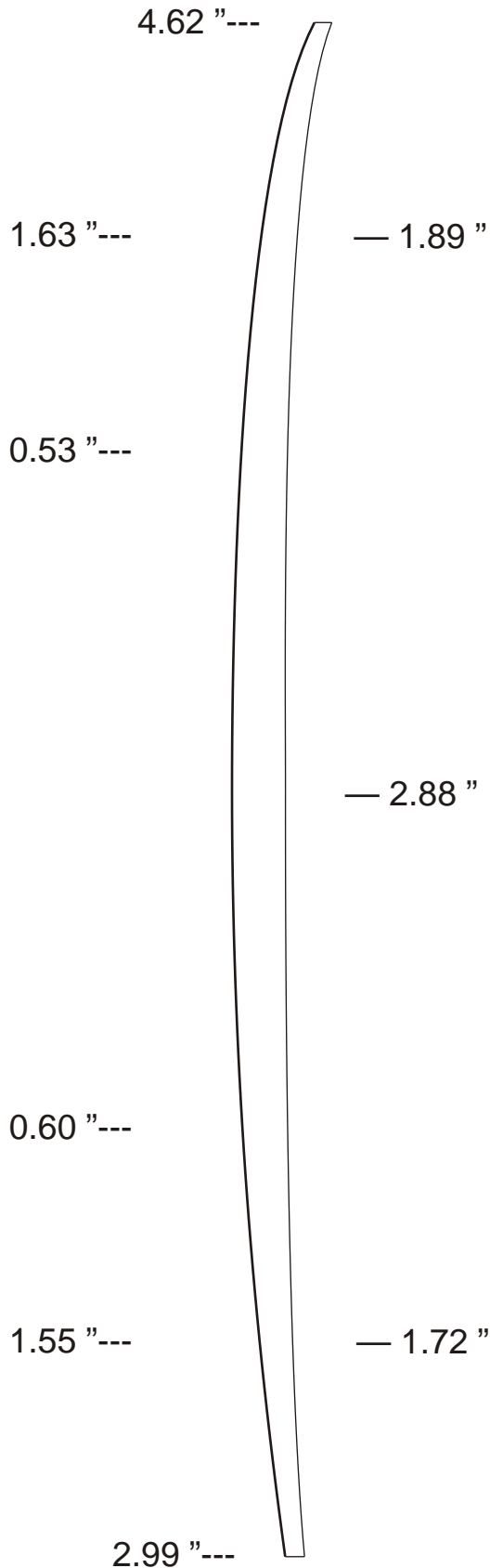
Please note:

All dimensions can be changed for a customized purpose-built blank!



www.sfoam.com

7' 2" X



Tip-to-Tip Length : 7 ' 2 "

Maximum Thickness: 2.88 "

Comments: Extra tail rocker,
low entry at nose.

Nose rocker measured at tip.

Tail rocker measured at tip.

Bottom measured at 12 " from nose, 24 " from nose and so on; also, 12 " from tail, 24 " from tail and so on.

Deck thickness measured at 12 " from nose, 12 " from tail and at midpoint.

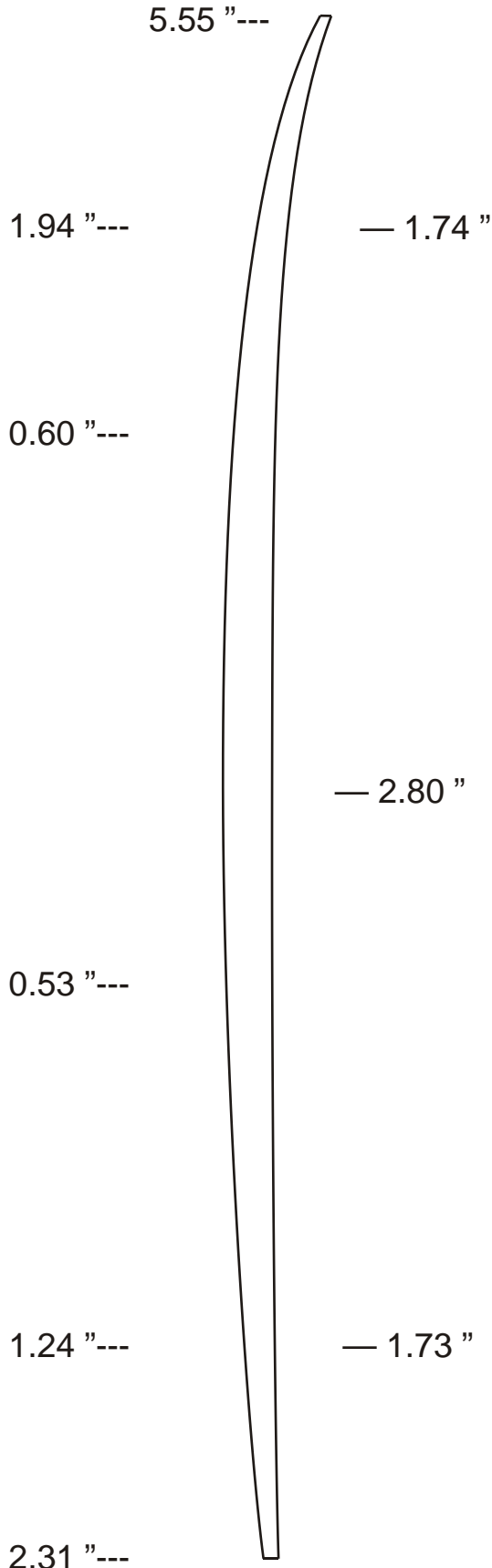
Please note:

All dimensions can be changed for a customized purpose-built blank!



www.sfoam.com

7' 4" FN



Tip-to-Tip Length : 7 ' 4 "

Maximum Thickness: 2.80 "

Comments:
Fun Shape / Egg Series

Nose rocker measured at tip.

Tail rocker measured at tip.

Bottom measured at 12 " from nose, 24 " from nose and so on; also, 12 " from tail, 24 " from tail and so on.

Deck thickness measured at 12 " from nose, 12 " from tail and at midpoint.

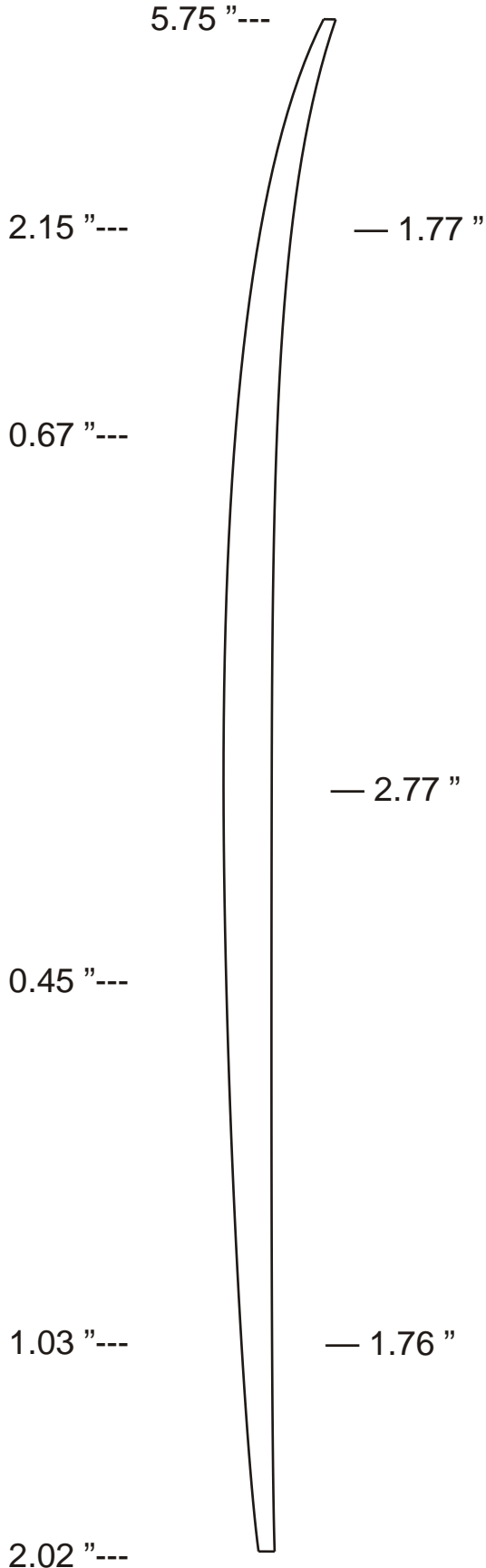
Please note:

All dimensions can be changed for a customized purpose-built blank!



www.sfoam.com

7' 4" MG



Tip-to-Tip Length : 7 ' 4 "

Maximum Thickness: 2.77 "

Comments:
Mini Gun

Nose rocker measured at tip.

Tail rocker measured at tip.

Bottom measured at 12 " from nose, 24 " from nose and so on; also, 12 " from tail, 24 " from tail and so on.

Deck thickness measured at 12 " from nose, 12 " from tail and at midpoint.

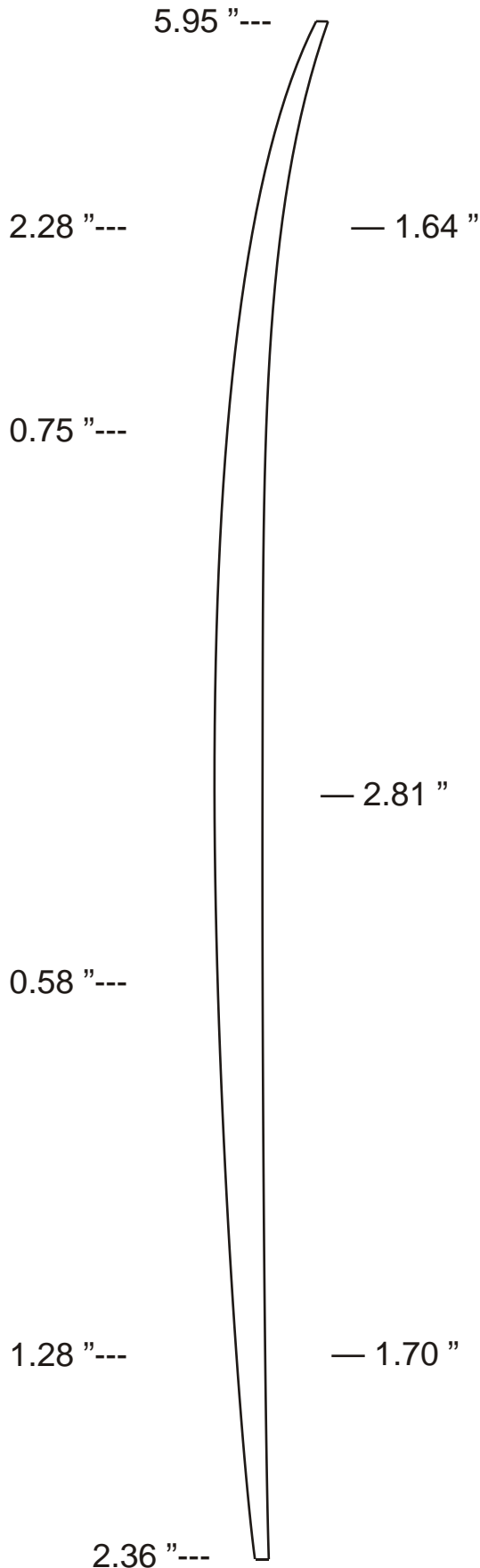
Please note:

All dimensions can be changed for a customized purpose-built blank!



www.sfoam.com

7' 6" HY



Tip-to-Tip Length : 7 ' 6 "

Maximum Thickness: 2.81 "

Comments:
Hybrid Series

Nose rocker measured at tip.

Tail rocker measured at tip.

Bottom measured at 12 " from nose, 24 " from nose and so on; also, 12 " from tail, 24 " from tail and so on.

Deck thickness measured at 12 " from nose, 12 " from tail and at midpoint.

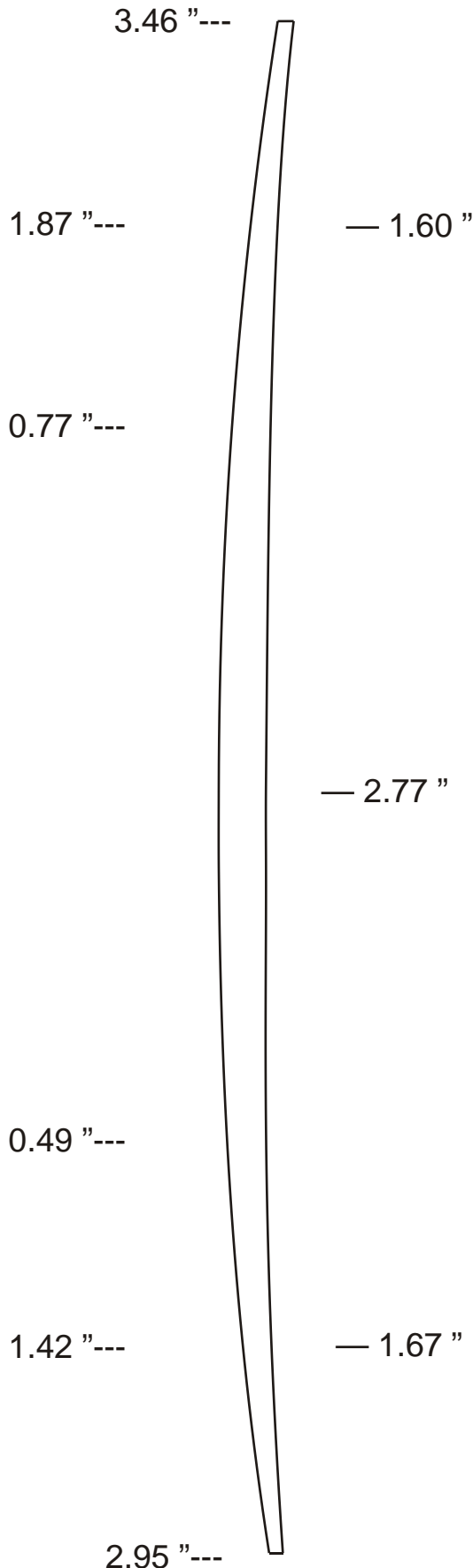
Please note:

All dimensions can be changed for a customized purpose-built blank!



www.sfoam.com

7' 6" N



Tip-to-Tip Length : 7 ' 6 "

Maximum Thickness: 2.77 "

Comments:

Mini Longboard

Flat sweet spot on bottom
from mid point to 4.9 inches
towards tail

Nose rocker measured at tip.

Tail rocker measured at tip.

Bottom measured at 12 " from nose, 24 " from nose and so on; also, 12 " from tail, 24 " from tail and so on.

Deck thickness measured at 12 " from nose, 12 " from tail and at midpoint.

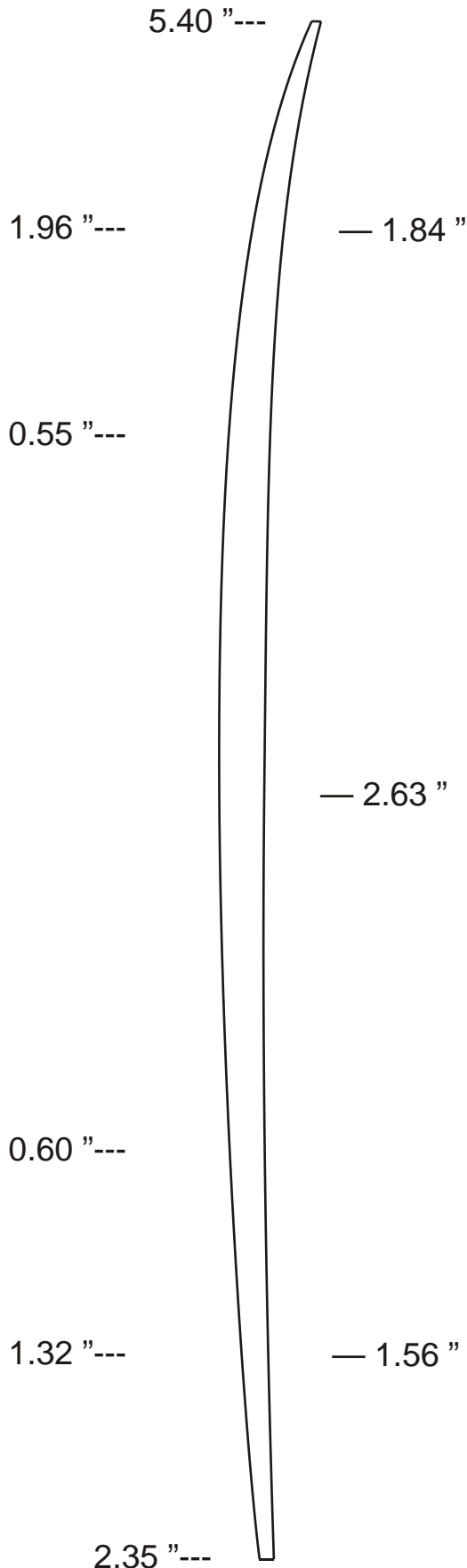
Please note:

All dimensions can be changed for a customized purpose-built blank!



www.sfoam.com

7' 6" RP



Tip-to-Tip Length : 7 ' 6 "

Maximum Thickness: 2.63 "

Comments:
Rounded Point / Mini Gun
Series

Nose rocker measured at tip.

Tail rocker measured at tip.

Bottom measured at 12 " from nose, 24 " from nose and so on; also, 12 " from tail, 24 " from tail and so on.

Deck thickness measured at 12 " from nose, 12 " from tail and at midpoint.

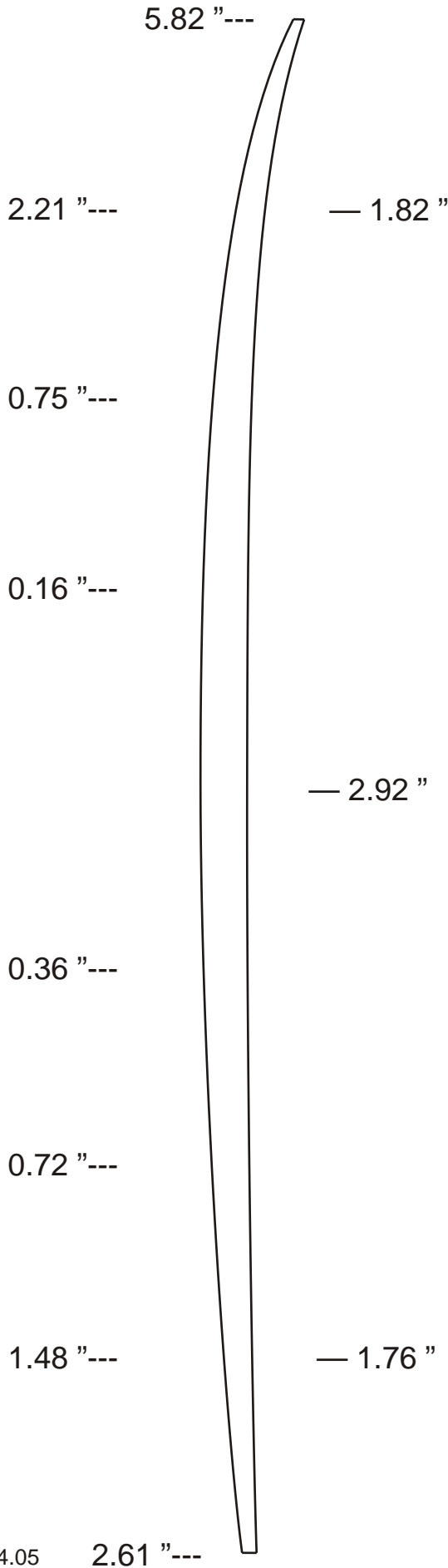
Please note:

All dimensions can be changed for a customized purpose-built blank!



www.sfoam.com

8' 0" GN



Tip-to-Tip Length : 8 ' 0 "

Maximum Thickness: 2.92 "

Comments:
Gun Blank

Nose rocker measured at tip.

Tail rocker measured at tip.

Bottom measured at 12 " from nose, 24 " from nose and so on; also, 12 " from tail, 24 " from tail and so on.

Deck thickness measured at 12 " from nose, 12 " from tail and at midpoint.

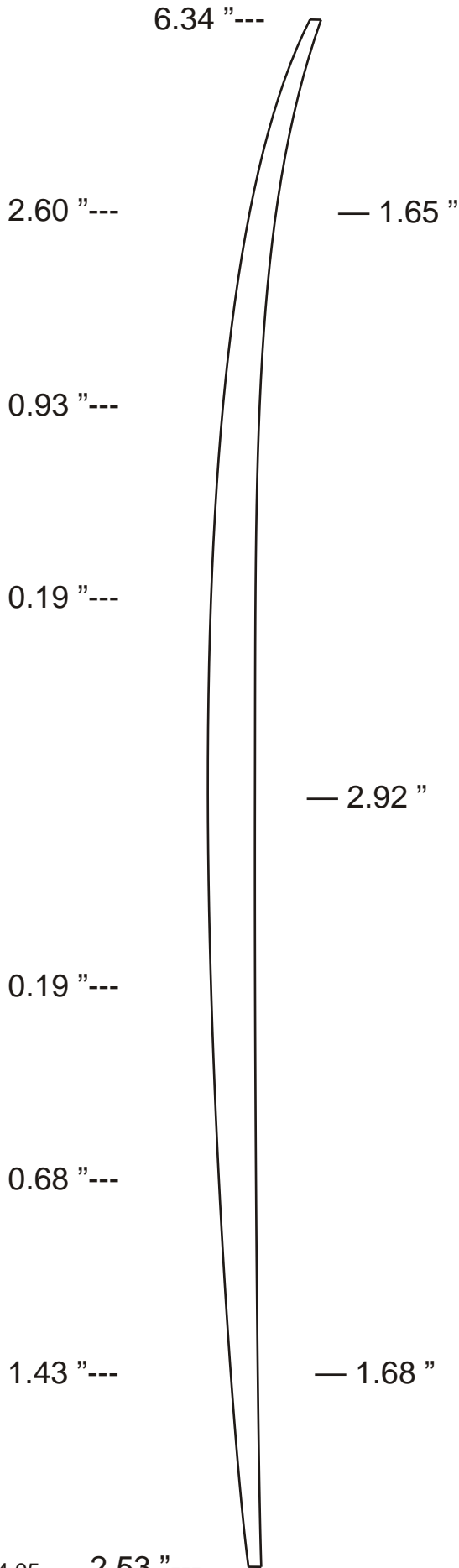
Please note:

All dimensions can be changed for a customized purpose-built blank!



www.sfoam.com

8' 0" HY



Tip-to-Tip Length : 8 ' 0 "

Maximum Thickness: 2.92 "

Comments:
Hybrid / Gun

Nose rocker measured at tip.

Tail rocker measured at tip.

Bottom measured at 12 " from nose, 24 " from nose and so on; also, 12 " from tail, 24 " from tail and so on.

Deck thickness measured at 12 " from nose, 12 " from tail and at midpoint.

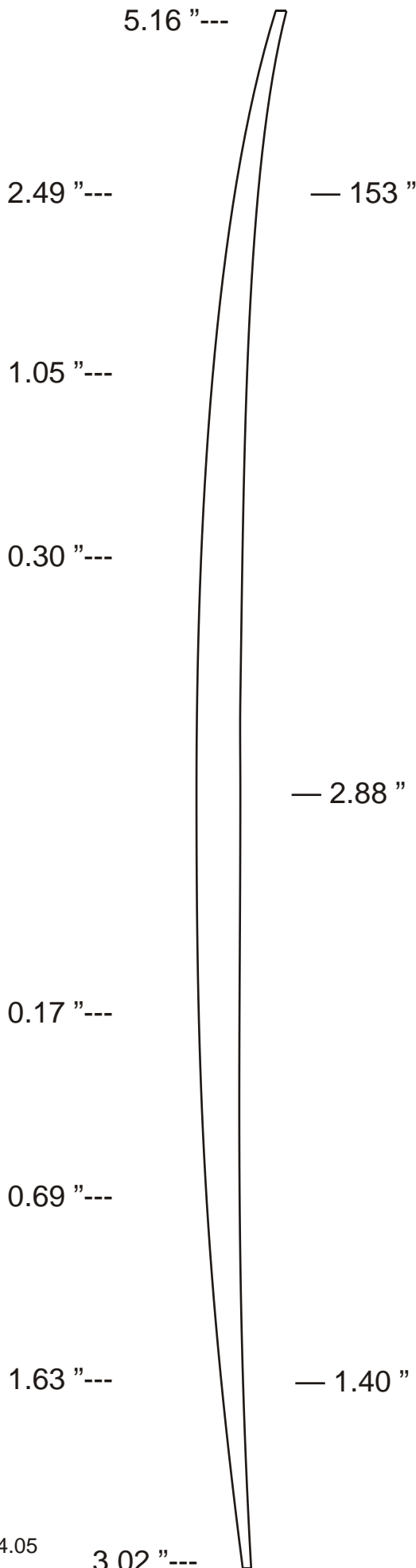
Please note:

All dimensions can be changed for a customized purpose-built blank!



www.sfoam.com

8' 6" PL



Tip-to-Tip Length : 8 ' 6 "

Maximum Thickness: 2.88 "

Comments:
Thinner Performance
Longboard

Nose rocker measured at tip.

Tail rocker measured at tip.

Bottom measured at 12 " from nose, 24 " from nose and so on; also, 12 " from tail, 24 " from tail and so on.

Deck thickness measured at 12 " from nose, 12 " from tail and at midpoint.

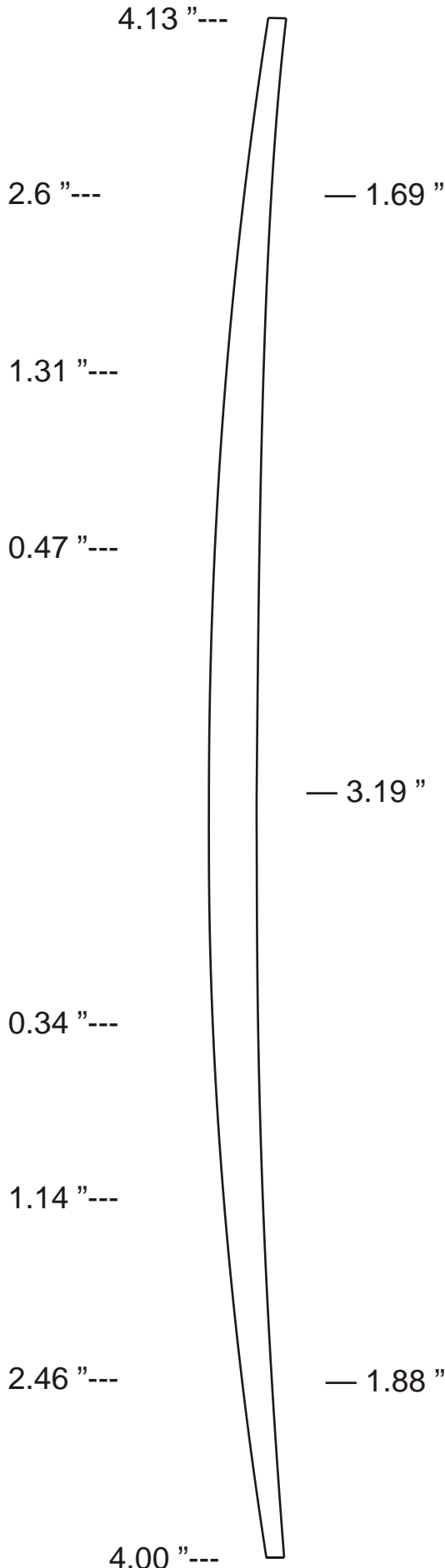
Please note:

All dimensions can be changed for a customized purpose-built blank!



www.sfoam.com

8' 11" X1



Tip-to-Tip Length : 8 ' 11 "

Maximum Thickness: 3.19 "

Comments:

Wave catcher, forward trim, performance long board. Flat sweet spot on bottom from center, 5 inches towards tail. Extra thick for high-dome deck.

Nose rocker measured at tip.

Tail rocker measured at tip.

Bottom measured at 12 " from nose, 24 " from nose and so on; also, 12 " from tail, 24 " from tail and so on.

Deck thickness measured at 12 " from nose, 12 " from tail and at midpoint.

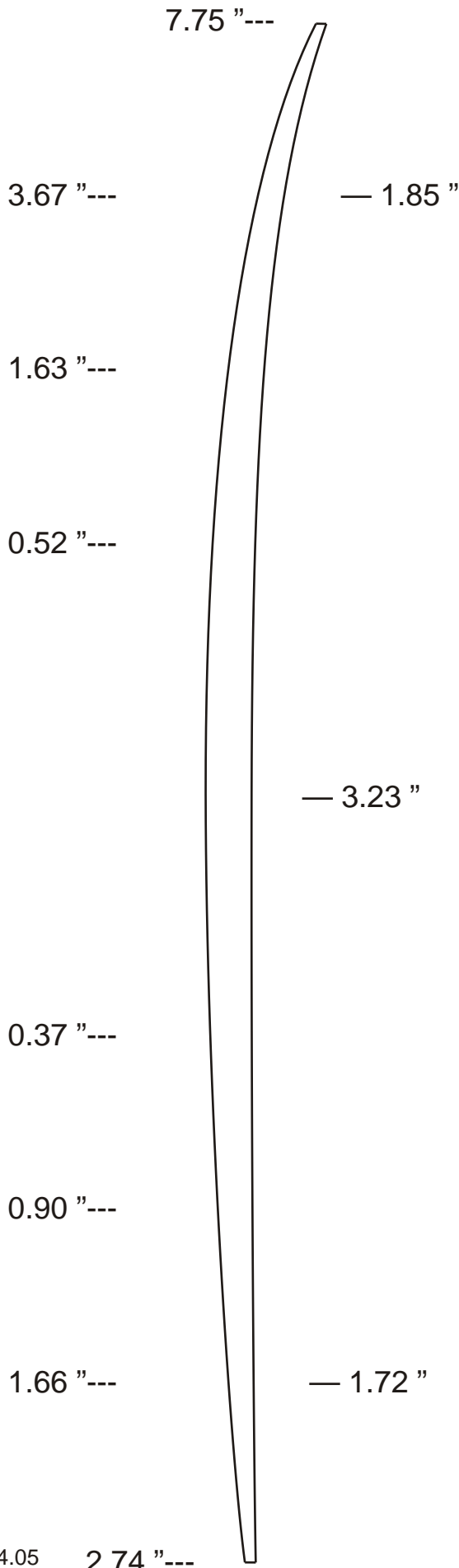
Please note:

All dimensions can be changed for a customized purpose-built blank!



www.sfoam.com

9' 0" GN



Tip-to-Tip Length : 9 ' 0 "

Maximum Thickness: 3.23 "

Comments:

Serious Gun

Special pricing due to extra nose rocker.

Nose rocker measured at tip.

Tail rocker measured at tip.

Bottom measured at 12 " from nose, 24 " from nose and so on; also, 12 " from tail, 24 " from tail and so on.

Deck thickness measured at 12 " from nose, 12 " from tail and at midpoint.

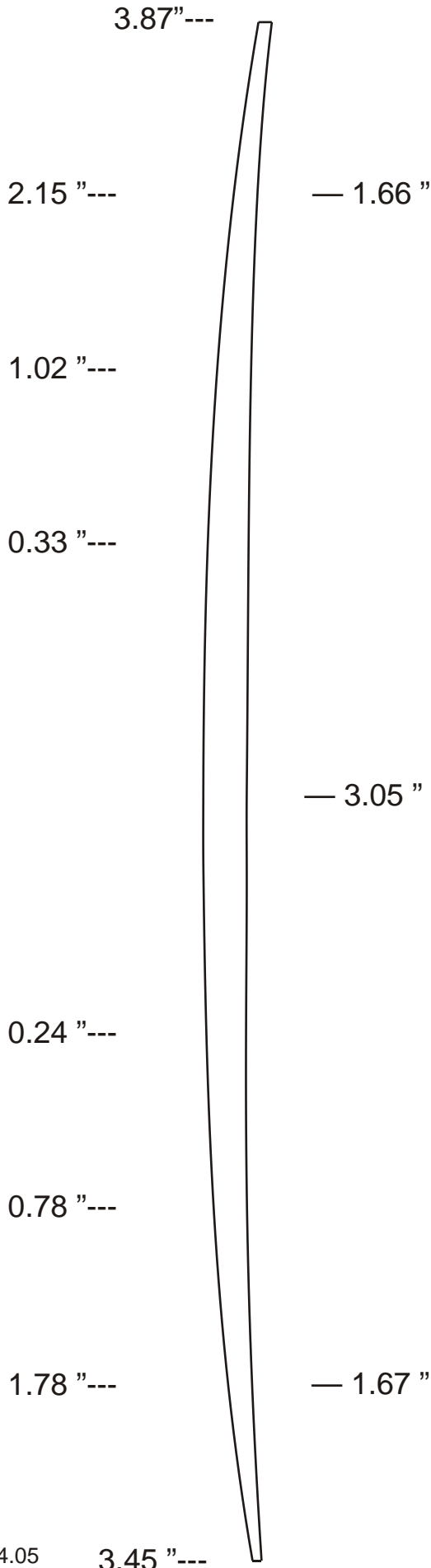
Please note:

All dimensions can be changed for a customized purpose-built blank!



www.sfoam.com

9' 0" NW



Tip-to-Tip Length : 9 ' 0 "

Maximum Thickness: 3.05 "

Comments:

Wider Longboards

Flat sweet spot on bottom
from center 6 inches toward
tail.

Nose rocker measured at tip.

Tail rocker measured at tip.

Bottom measured at 12 " from nose, 24 " from nose and so on; also, 12 " from tail, 24 " from tail and so on.

Deck thickness measured at 12 " from nose, 12 " from tail and at midpoint.

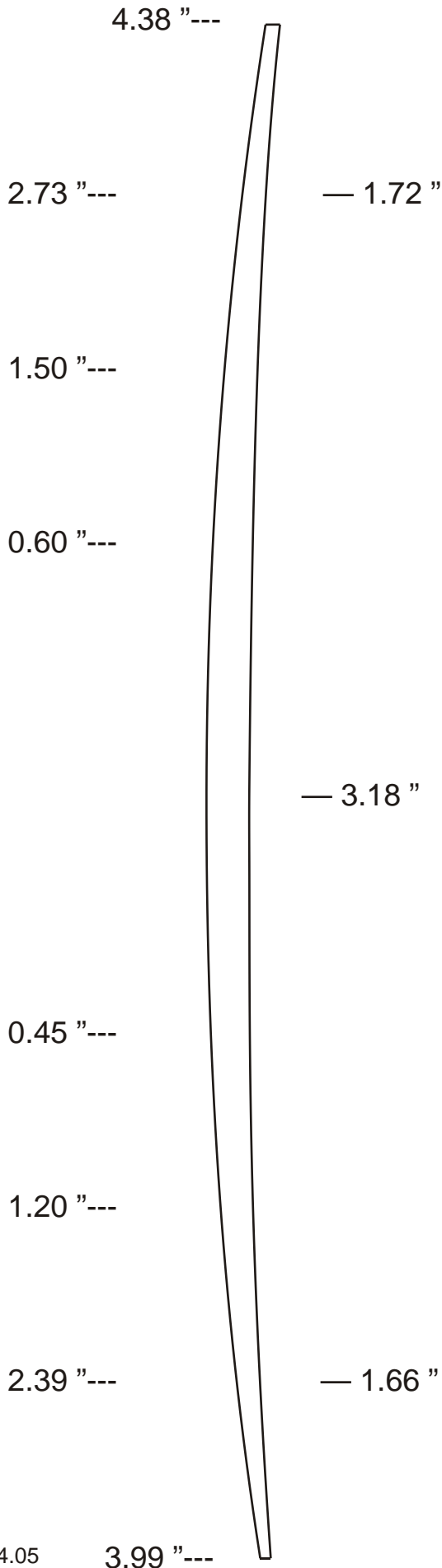
Please note:

All dimensions can be changed for a customized purpose-built blank!



www.sfoam.com

9' 6" N



Tip-to-Tip Length : 9 ' 6 "

Maximum Thickness: 3.18 "

Comments:

Longboard

Flat sweet spot
on bottom from center 3
inches towards tail.

Nose rocker measured at tip.

Tail rocker measured at tip.

Bottom measured at 12 " from nose, 24 " from nose and so on; also, 12 " from tail, 24 " from tail and so on.

Deck thickness measured at 12 " from nose, 12 " from tail and at midpoint.

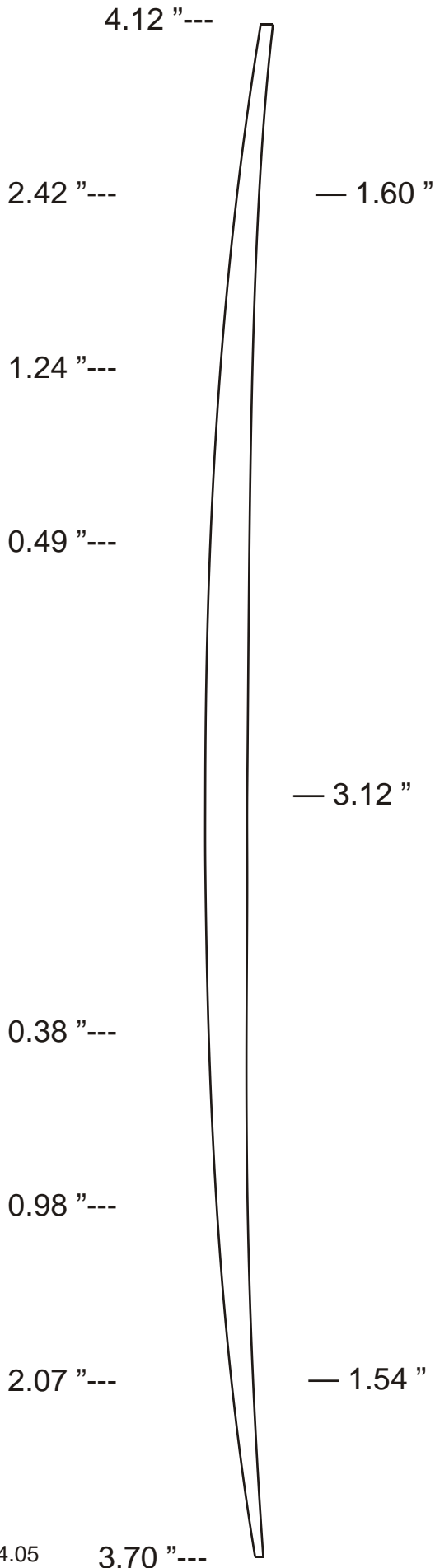
Please note:

All dimensions can be changed for a customized purpose-built blank!



www.sfoam.com

9' 6" NW



Tip-to-Tip Length : 9 ' 0 "

Maximum Thickness: 3.12 "

Comments:

Wider Longboards

Flat sweet spot on bottom
from center 6 inches towards
tail.

Nose rocker measured at tip.

Tail rocker measured at tip.

Bottom measured at 12 " from nose, 24 " from nose and so on; also, 12 " from tail, 24 " from tail and so on.

Deck thickness measured at 12 " from nose, 12 " from tail and at midpoint.

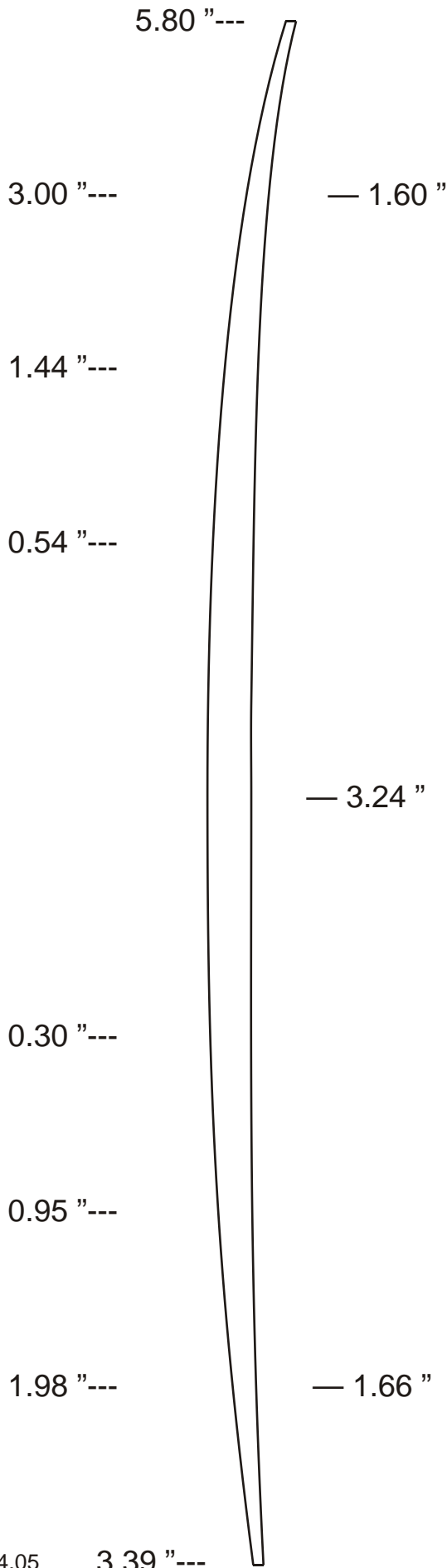
Please note:

All dimensions can be changed for a customized purpose-built blank!



www.sfoam.com

9' 6" PL



Tip-to-Tip Length : 9 ' 6 "

Maximum Thickness: 3.24 "

Comments:
Performance Longboard

Nose rocker measured at tip.

Tail rocker measured at tip.

Bottom measured at 12 " from nose, 24 " from nose and so on; also, 12 " from tail, 24 " from tail and so on.

Deck thickness measured at 12 " from nose, 12 " from tail and at midpoint.

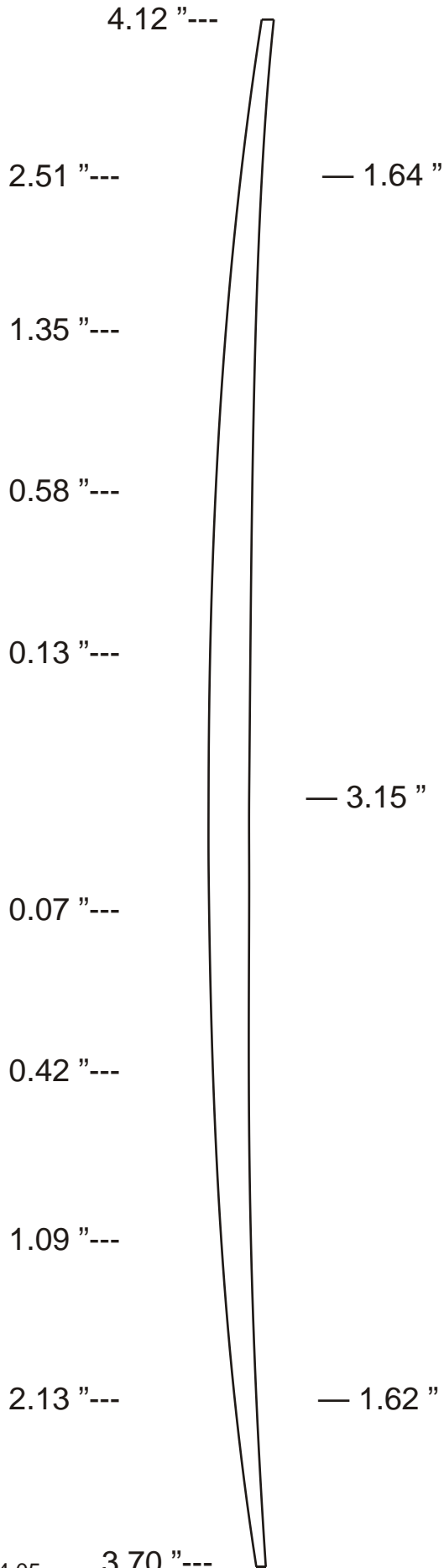
Please note:

All dimensions can be changed for a customized purpose-built blank!



www.sfoam.com

10' 0" NW



Tip-to-Tip Length : 10 ' 0 "

Maximum Thickness: 3.15 "

Comments:

Wider Longboards

Flat sweet spot on bottom
from center 6 inches towards
tail.

Nose rocker measured at tip.

Tail rocker measured at tip.

Bottom measured at 12 " from nose, 24 " from nose and so on; also, 12 " from tail, 24 " from tail and so on.

Deck thickness measured at 12 " from nose, 12 " from tail and at midpoint.

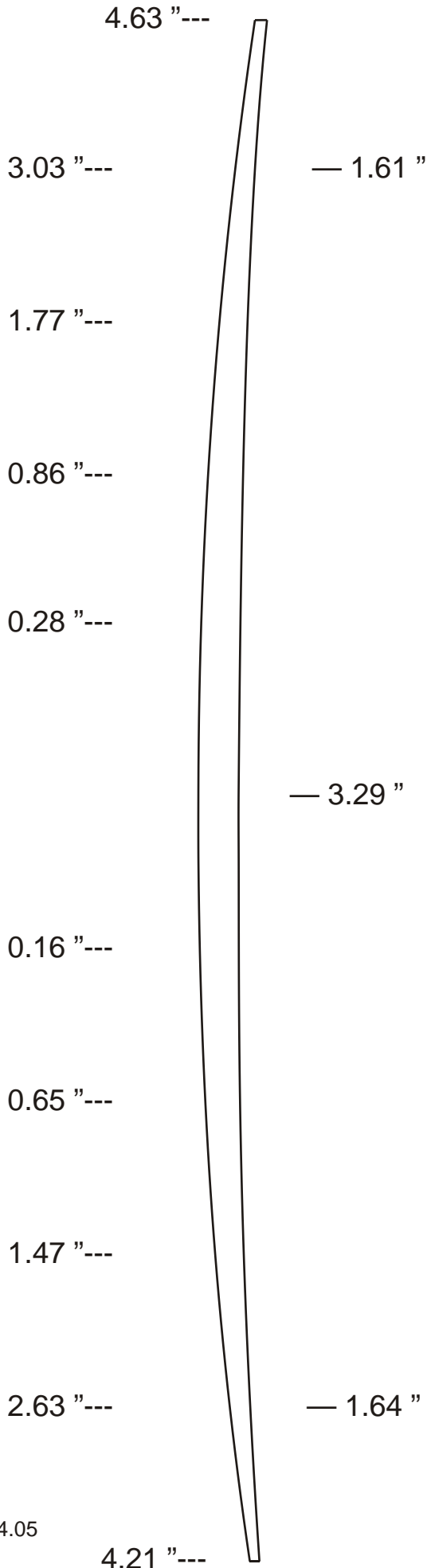
Please note:

All dimensions can be changed for a customized purpose-built blank!



www.sfoam.com

10' 6" N



Tip-to-Tip Length : 10 ' 6 "

Maximum Thickness: 3.29 "

Comments:

Longboard

Flat sweet spot on
bottom from center 6.44
inches towards tail

Nose rocker measured at tip.

Tail rocker measured at tip.

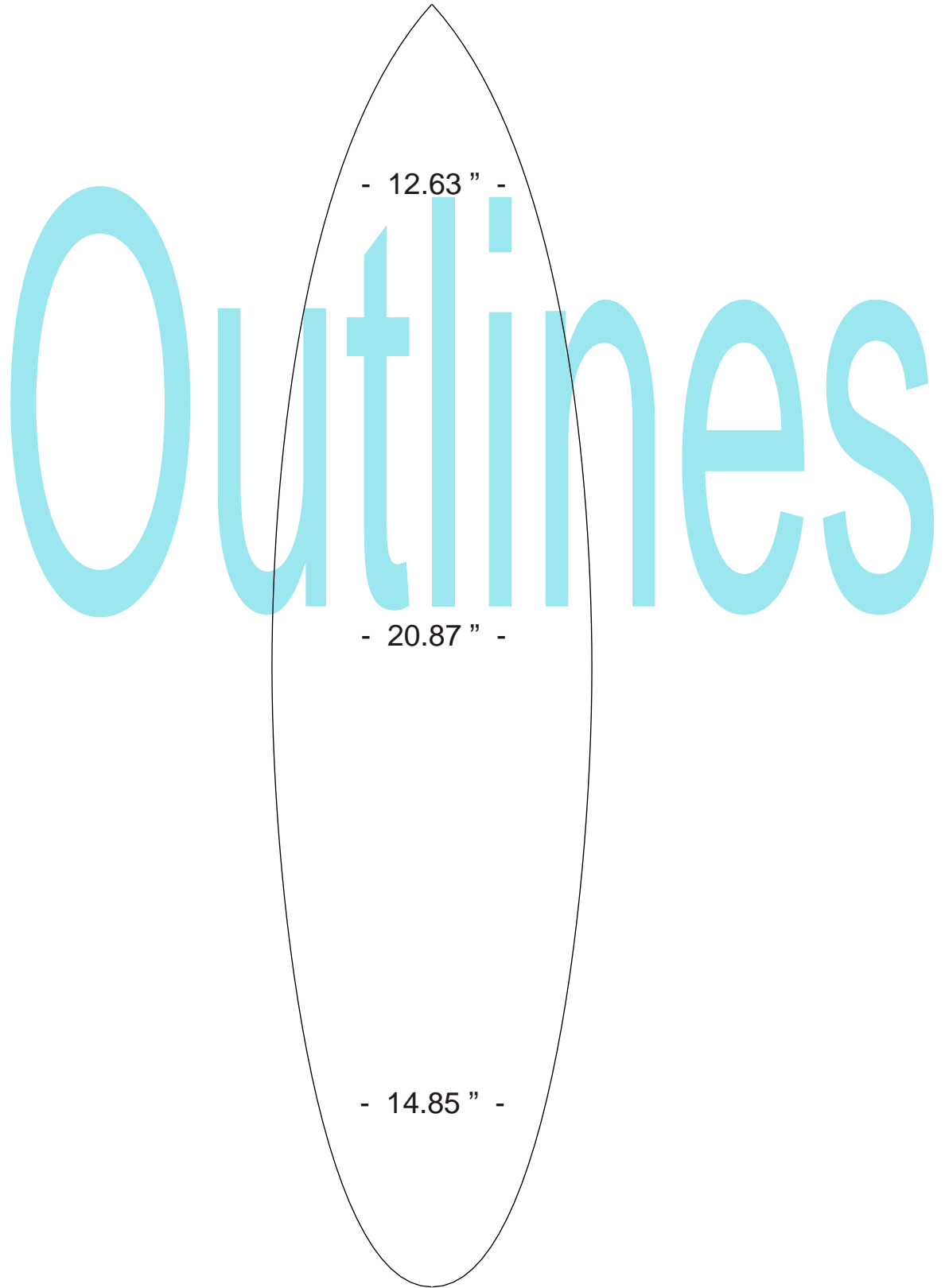
Bottom measured at 12 " from nose, 24 " from nose and so on; also, 12 " from tail, 24 " from tail and so on.

Deck thickness measured at 12 " from nose, 12 " from tail and at midpoint.

Please note:

All dimensions can be changed for a customized purpose-built blank!

See sFoam Outline catalog for:





www.sfoam.com

End of Catalog
Please check www.sFoam.com
for latest blank styles.

